

PRODUCT DATA SHEET

Mercury Led Suspension - Inox



DESIGN BY:

Ross Lovegrove
2007

MATERIALS:

Painted steel, stainless steel, chrome aluminium, thermoplastic material

DESCRIPTION:

A ceiling fixture that places a floating assembly of large pebbles below a simple modern aluminium disc. These in turn reflect each other bouncing light between their taught bio - morphic surfaces and reflecting the environment around them. During the day the piece acts as a sculptural object reflecting the dynamics of natural light and the movement of people around them. Die-cast aluminium lighting units; reflective units made of injection-moulded thermoplastic material with metallic finish; stainless steel reflector. Dimmable (SwitchDim).

Its modular shape lends itself to the creation and realisation of customized compositions, supplied as special project.

SELECT

LED

Metal grey / mirror

PRODUCT CODE

1367110A

Light emission



Dimmable

TECHNICAL DATA SHEET

FEATURES

Product name:	Mercury Led Suspension - Inox
Article Code:	1367110A
Colour:	Metal grey / mirror
Material:	Painted steel, stainless steel, chrome aluminium, thermoplastic material
Series:	Design, Hydro
Environment:	Indoor
Area contract:	Hospitality Hotel, Office, Private Residence

OPTICS

Emission:	Indirect
-----------	----------

DIMENSIONS

Height:	cm 55
Diameter:	cm 110
Max Height from ceiling:	cm 200
Impact Resistance:	N/D
Glow Wire Test:	650 °

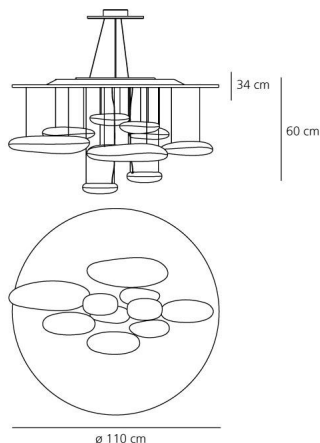
LAMPS INCLUDED

LED	Category:	LED COB
	Watt:	29W
	Luminous Flux (lm):	2330lm
	Typology:	1
	Color temperature (K):	3000K

LUMINAIR

Watt:	2x29W
Voltage:	220V-240V

DIMENSIONS



COLOUR



