

PRODUCT DATA SHEET

Objective Wall



DESIGN BY:

Jean Nouvel

MATERIALS:

Aluminium, methacrylate

DESCRIPTION:

The character of the object – a tube containing different sets of optics – recalls the lens of a still or movie camera and its manipulation, with the three different segments housing three different light sources: a) ambient light coming from the semiopal methacrylate segment, prismatic internal surface while the external is completely smooth, b) a spotlight focused, from the first head, onto the reading matter or work surface, c) light pointed upwards from the floodlight in the second head. Instead of leading the eye to observe different distances in the way that happens with a telescope or a camera lens, the function of the lamp is obviously to bring the light sources to bear on objects at different distances, illuminating them properly by establishing the focal ratios best suited to each situation.

SELECT

LED

Black

PRODUCT CODE

1444010A

Light emission



TECHNICAL DATA SHEET

FEATURES

Product name: Objective Wall
 Article Code: 1444010A
 Colour: Black
 Material: Aluminium, methacrylate
 Series: Design

DIMENSIONS

Length: cm 15.6
 Height: cm 15.6
 Diameter: cm 6.5
 Base Diameter: cm 6.5
 Impact Resistance: N.D.
 Glow Wire Test: N.D. °

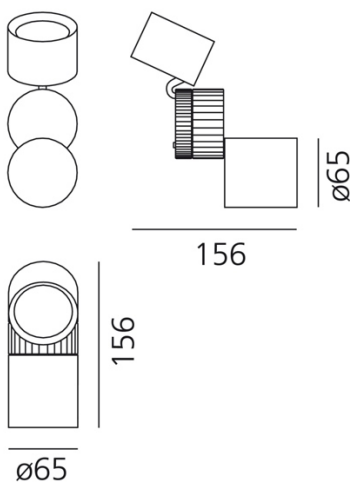
LAMPS INCLUDED

Category: LED
 Number: 1
 Watt: 4W
 Luminous Flux (lm): 430 lm
 Color temperature (K): 3000 K
 Class: A

LUMINAIR

Watt: 5W
 Luminous Flux (lm): 270lm
 CCT: 3000K
 Efficiency: 75%
 Efficacy: 58lm/W

DIMENSIONS



COLOUR



AWARDS

_2015 iF Product Design Award Deutschland _2014 Design Plus Light+Building

