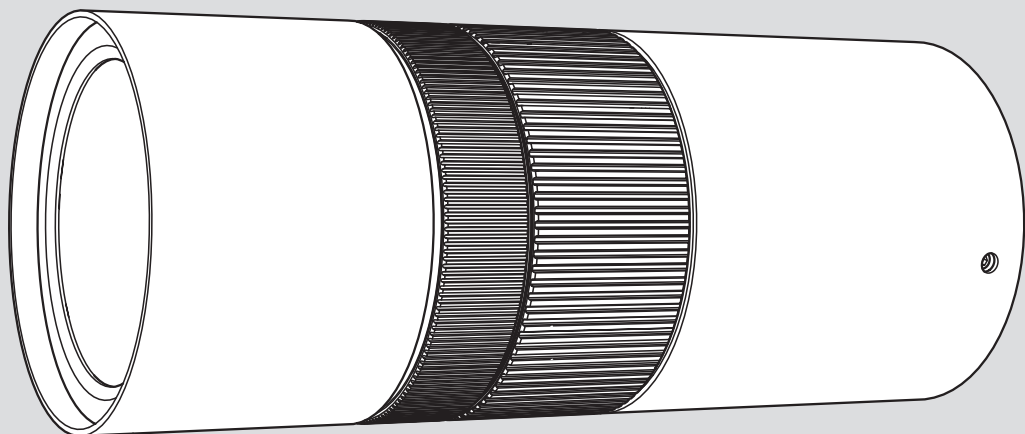


Artemide®

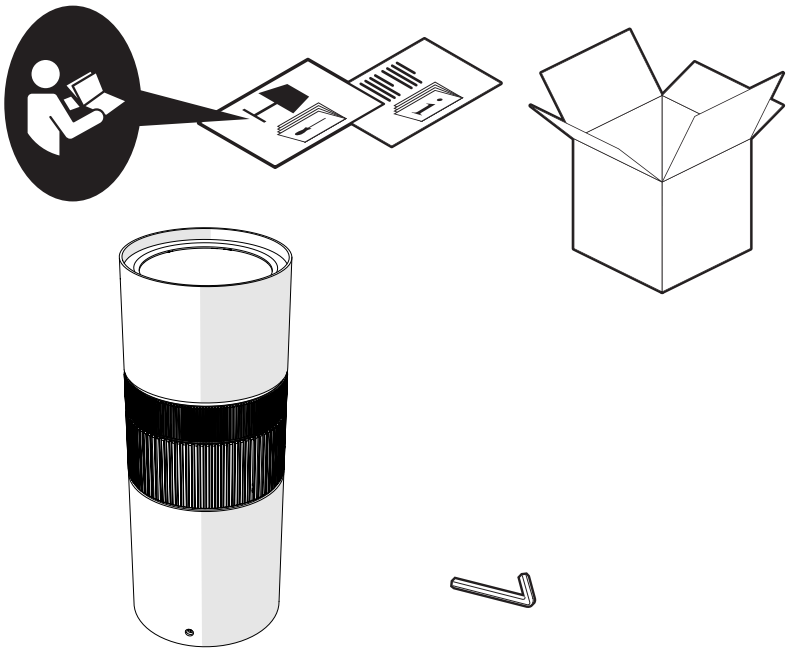
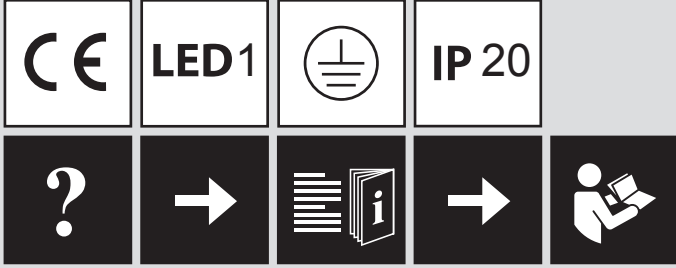
Objective

design
J. Nouvel

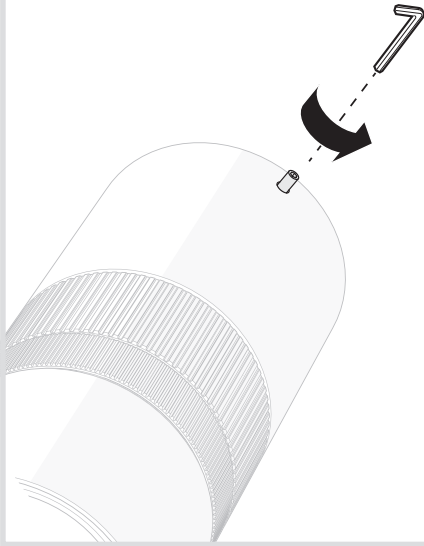




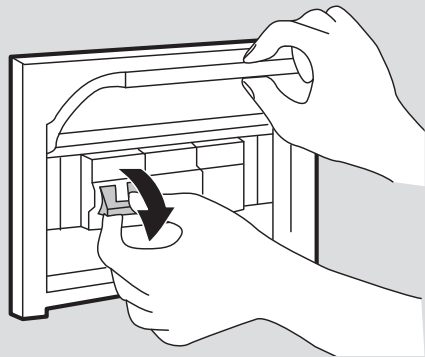
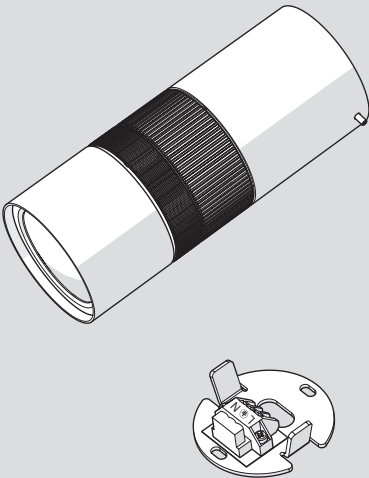
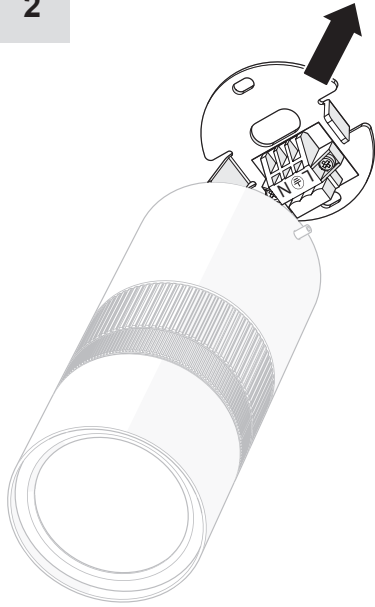
i



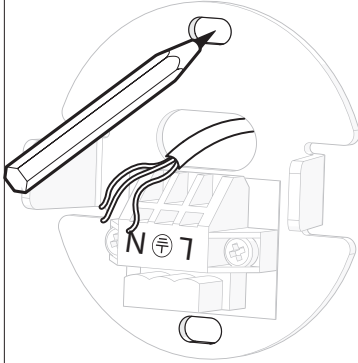
1



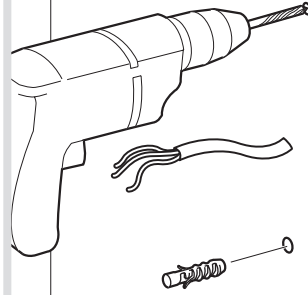
2



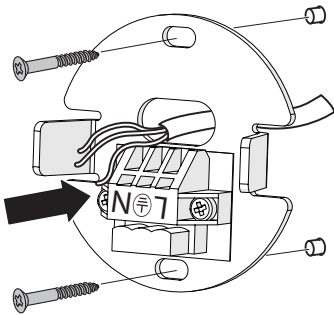
3



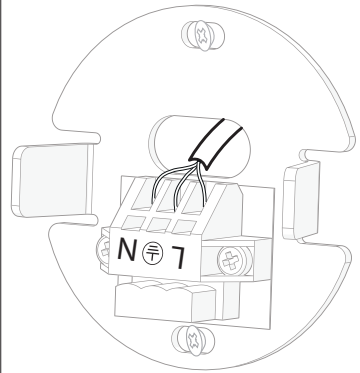
4



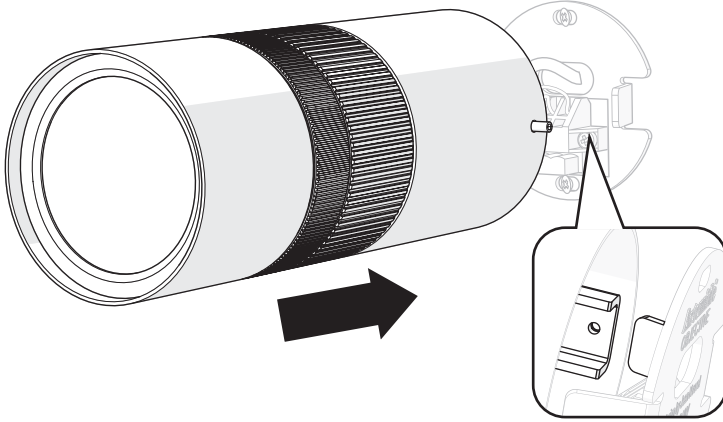
5



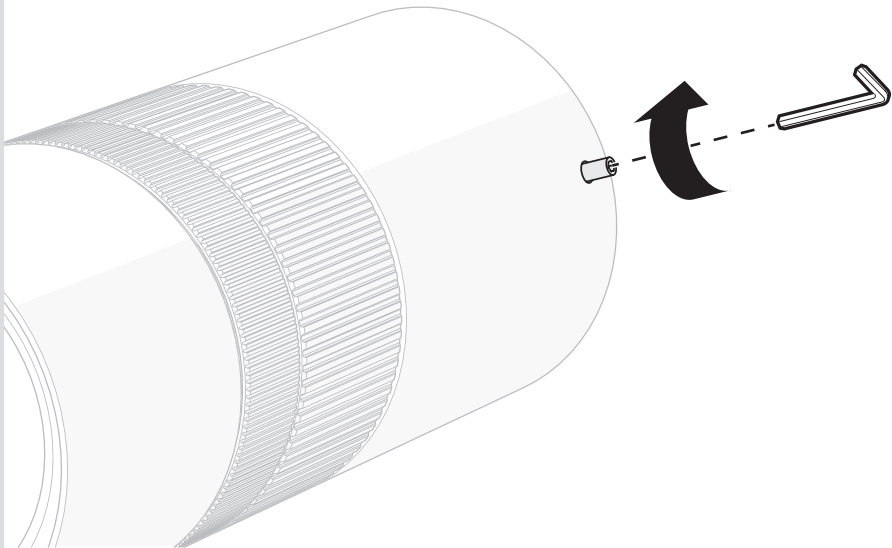
6

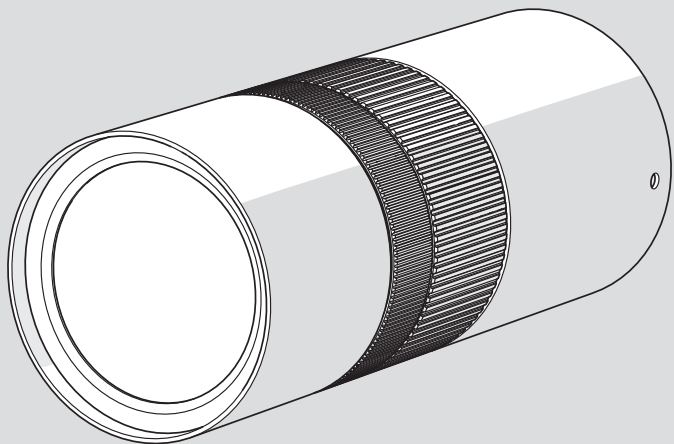


7

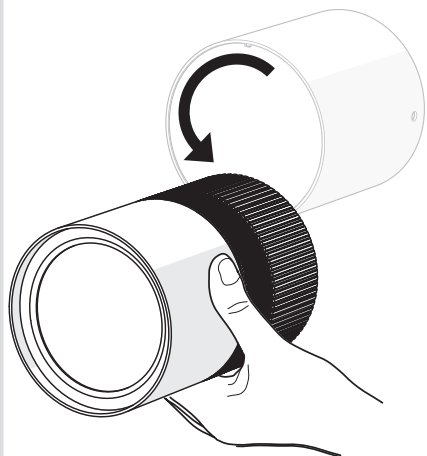


8

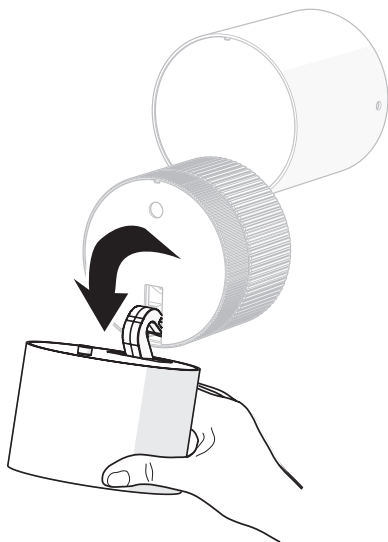




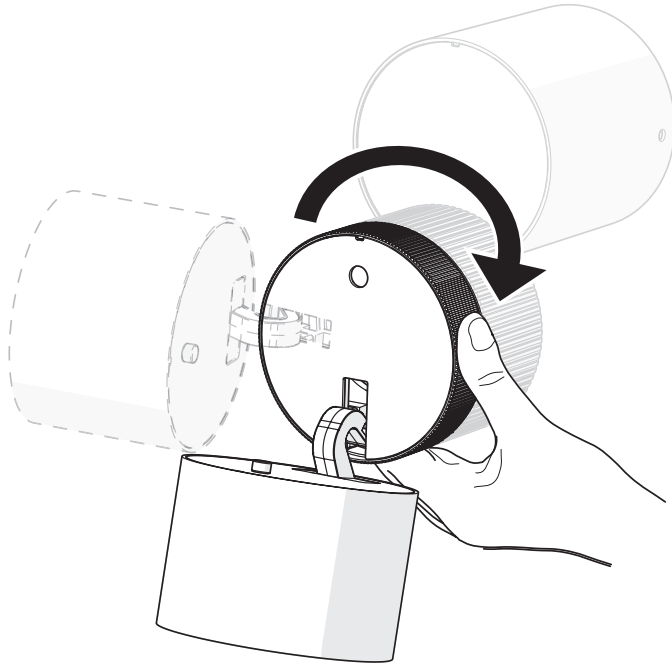
1



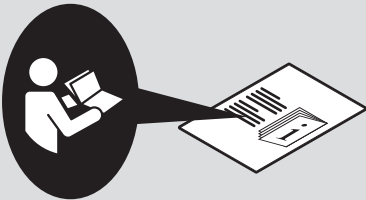
2



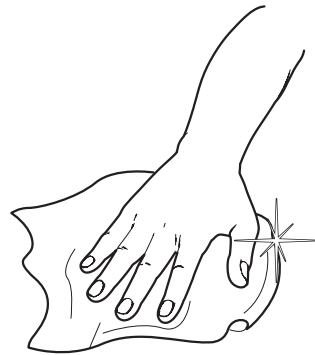
3



i



1



Artemide®



Artemide

via Bergamo, 18
20010 Pregnana M.se (MI)
ITALIA

tel. +39 02 935 181
fax +39 02 935 90 254
fax +39 02 935 90 496

www.artemide.com

VAT IT00846890150

cod. Y513000223A