

PRODUCT DATA SHEET

Onfale big


DESIGN BY:

Luciano Vistosi
1978

MATERIALS:

blown glass

DESCRIPTION:

Body and diffuser in opaline blown glass. Transparent crystal edge added.

SELECT

EXTRA HALO / LED

White

PRODUCT CODE

A006300

Light emission


IP20

TECHNICAL DATA SHEET
FEATURES

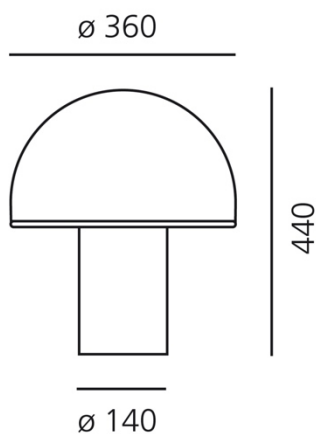
Product name: Onfale big
Article Code: A006300
Colour: White
Material: blown glass
Series: Design
Environment: Indoor
Area contract:

OPTICS

Emission: Diffused

DIMENSIONS

Height: cm 44
Diameter: cm 36
Base Diameter: cm 14
Impact Resistance: N.A.
Glow Wire Test: N.A.

DIMENSIONS

LAMPS NOT INCLUDED

Category: HALO
Number: 1
Watt: 20W
Socket: E14
Luminous Flux (lm): 235 lm
Class: A

Category: HALO
Number: 1
Lbs: A60
Watt: 77W
Socket: E27
Luminous Flux (lm): 1320lm
Colour Rendering: 1a
Colour temperature (K): 2900K
Duration (h): 1000h

COLOUR

ALTERNATIVE LAMPS

**LED
retrofit**

Category: LED
Watt: 15W

Luminous Flux (lm): 1150lm
Socket: E27
Class: A



Category: LED
Watt: 3,2W
Luminous Flux (lm): 250lm
Socket: E14
Class: A

LUMINAIR

Watt: 77+18W
Voltage: 220V-240V
Luminous Flux (lm): 1180+170lm
CCT: 3000K