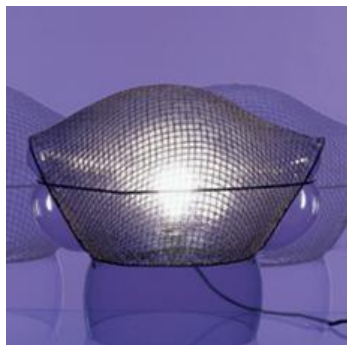


## PRODUCT DATA SHEET

### Patroclo



#### DESIGN BY:

Gae Aulenti  
1975

#### MATERIALS:

Blown glass, steel

#### DESCRIPTION:

Body in transparent blown glass with the diffuser partially covered by an irregular rhomboid metal frame. The frame is created by welding steel wire that is resistant to the heat of the glass which is blown within the cage.

With dimmer. The glass is then faceted to light a space with mottled light.

#### SELECT

EXTRA HALO / LED

Transparent

#### PRODUCT CODE

0060010A

#### Light emission



IP20



#### TECHNICAL DATA SHEET

#### FEATURES

Product name:	Patroclo
Article Code:	0060010A
Colour:	Transparent
Material:	Blown glass, steel
Series:	Design
Environment:	Indoor

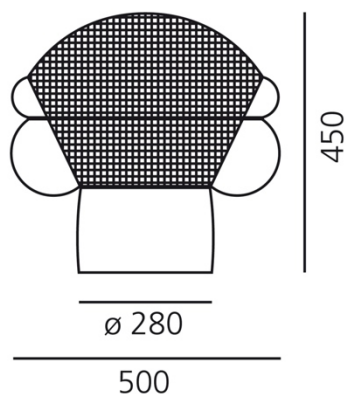
#### OPTICS

Emission:	Diffused
-----------	----------

#### DIMENSIONS

Length:	cm 50
Height:	cm 45
Base Diameter:	cm 28
Impact Resistance:	N/D
Glow Wire Test:	N/D °

#### DIMENSIONS



#### COLOUR



#### LAMPS NOT INCLUDED

	Category:	HALO
	Number:	1
	Lbs:	A60
	Watt:	77W
	Socket:	E27
	Luminous Flux (lm):	1320lm
	Colour Rendering:	1a
	Colour temperature (K):	2900K
	Duration (h):	1000h

#### ALTERNATIVE LAMPS

##### LED retrofit

Category:	LED
Watt:	10W
Luminous Flux (lm):	1055lm
Socket:	E27
Class:	A

#### LUMINAIR

Watt:	77W
Voltage:	220V-240V

<b>Luminous Flux (lm):</b>	1180lm
<b>CCT:</b>	2900K
<b>Dimmer</b>	
<b>Dimmer Typology:</b>	Microswitch Dimmer