

PRODUCT DATA SHEET

Pausania


DESIGN BY:

Ettore Sottsass
1983

MATERIALS:

methacrylate, brass

DESCRIPTION:

Re-edition of the famous lamp designed by Ettore Sottsass, updated in version LED TW at variable white light.

Microswitch dimmer

SELECT

PRODUCT CODE

1081010A

Light emission

IP20

Dimmable + -

TECHNICAL DATA SHEET
FEATURES

Product name:	Pausania
Article Code:	1081010A
Colour:	Green/Alluminium
Material:	methacrylate, brass
Series:	Design, Modern Classic

DIMENSIONS

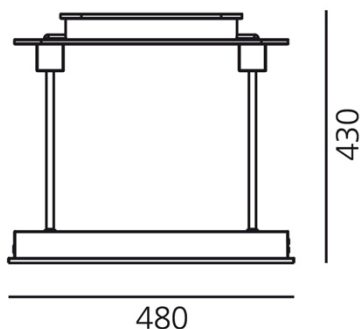
Length:	cm 48
Width:	cm 11
Height:	cm 43

LAMPS INCLUDED

Category:	LED
Number:	1
Watt:	10W
Luminous Flux (lm):	900lm
Color temperature (K):	2700-6500K
Class:	A

LUMINAIR

Watt:	10W
Luminous Flux (lm):	690lm
CCT:	2700/6500K
Efficiency:	75%
Efficacy:	48lm/W
Dimmer	
Dimmable	

DIMENSIONS

COLOUR
