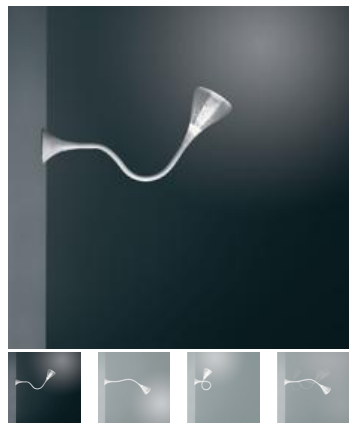


## PRODUCT DATA SHEET

### Pipe Wall/Ceiling LED 2700K


**DESIGN BY:**

Herzog & De Meuron  
2007

**MATERIALS:**

Polycarbonate, steel, silicon

**DESCRIPTION:**

Wall/ceiling lamp with flexible painted steel structure, covered with a natural anti-yellowing silicone case; wall attachment and diffuser in transparent rubber-effect painted polycarbonate; mirror aluminium reflector with random perforations; painted steel bottom plate. The new internal diffuser is reinterpreting the old fluorescent lamp using a modern LED source, this guarantees the same optical performance with less power consumption and a better quality of light.

Flexible and adjustable.

**SELECT**


**PRODUCT CODE**

0671W10A

**Light emission**

**Dimmable**
**TECHNICAL DATA SHEET**
**FEATURES**

Product name:	Pipe Wall/Ceiling LED 2700K
Article Code:	0671W10A
Colour:	Transparent
Material:	Polycarbonate, steel, silicon
Series:	Design
Environment:	Indoor

**DIMENSIONS**

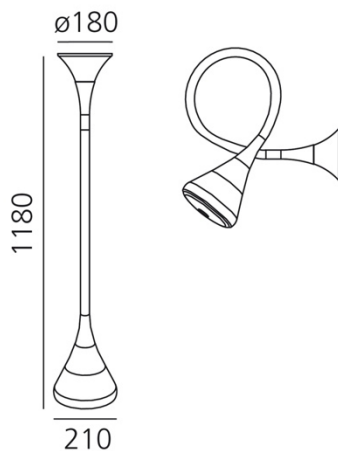
Height:	cm 118
Diameter:	cm 21
Base Diameter:	cm 18
Impact Resistance:	IK6
Glow Wire Test:	960 °

**LAMPS INCLUDED**

Category:	LED COB
Number:	1
Watt:	27W
Luminous Flux (lm):	2990lm
Color temperature (K):	2700K
Class:	A

**LUMINAIR**

Power Supply:	Electronic Integrated
Watt:	27 W
Luminous Flux (lm):	1763lm
CCT:	2700K
CRI:	90
Dimmable	

**DIMENSIONS**

**COLOUR**
