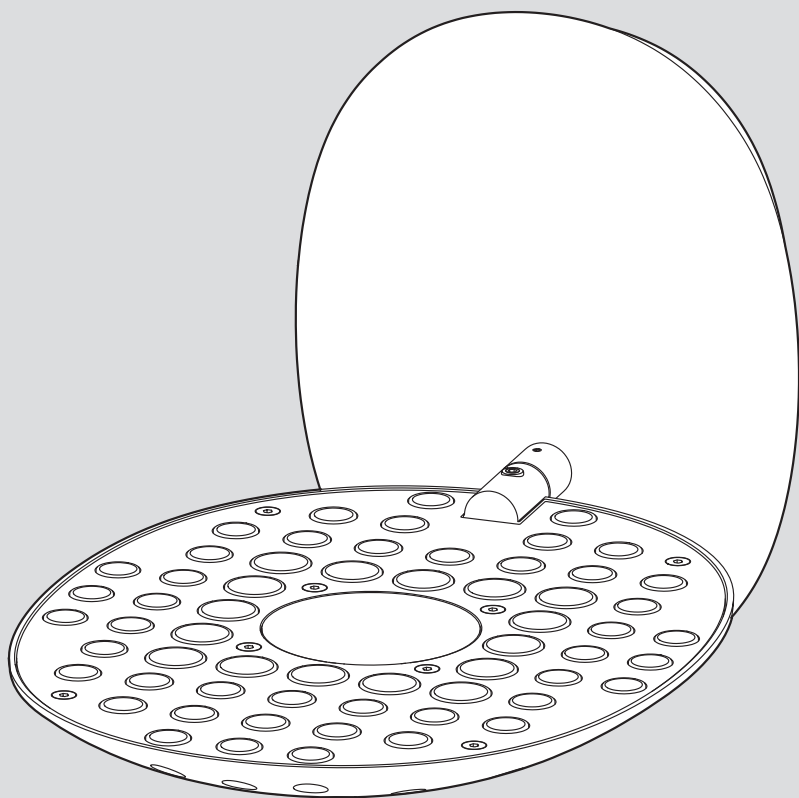


# Artemide®

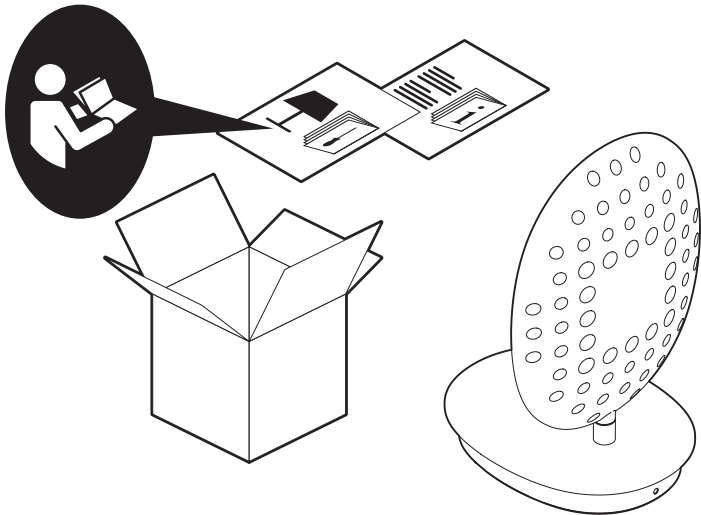
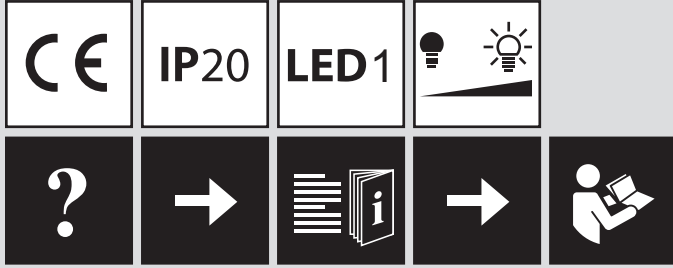
## Reall

design  
C. de Bevilacqua  
P. Dell'Elce

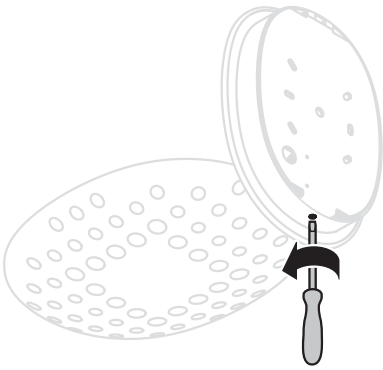




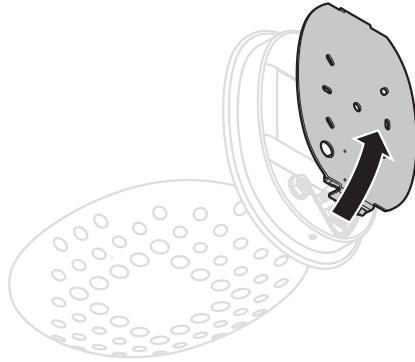
i



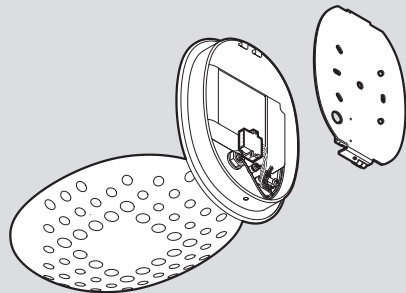
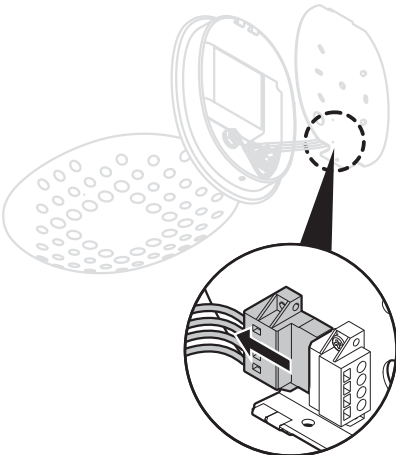
1

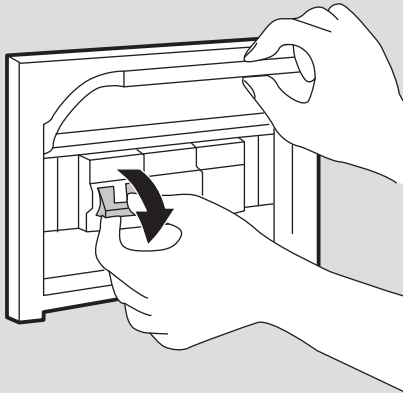


2

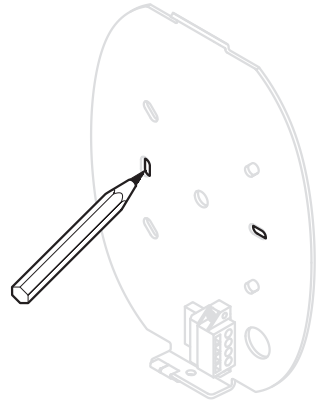


3

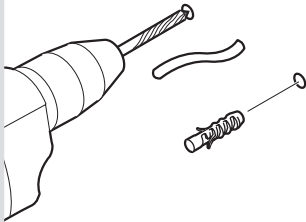




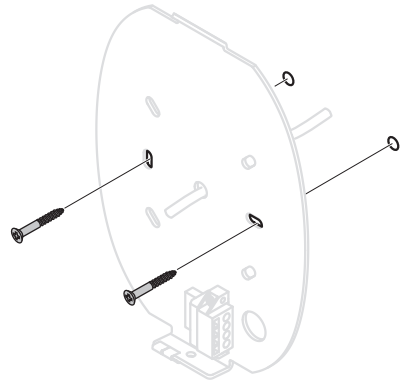
4

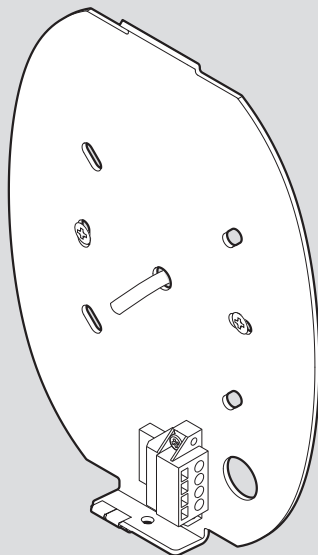


5

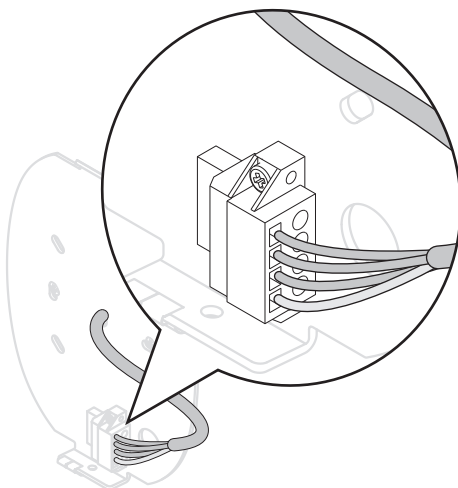
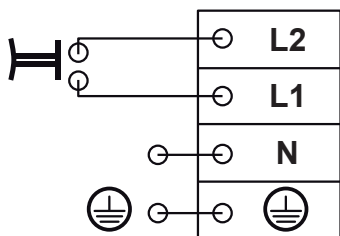


6

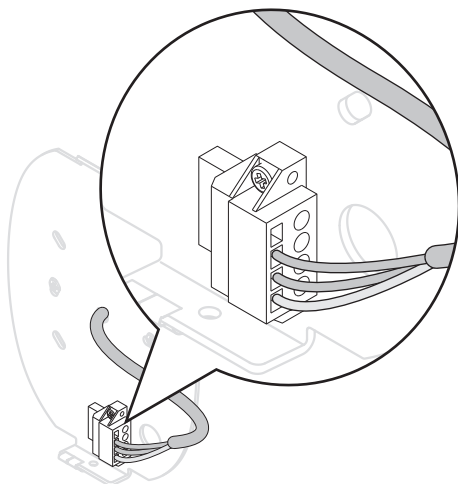
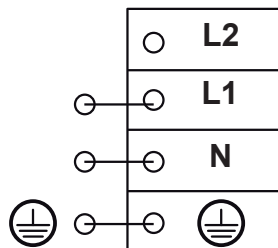




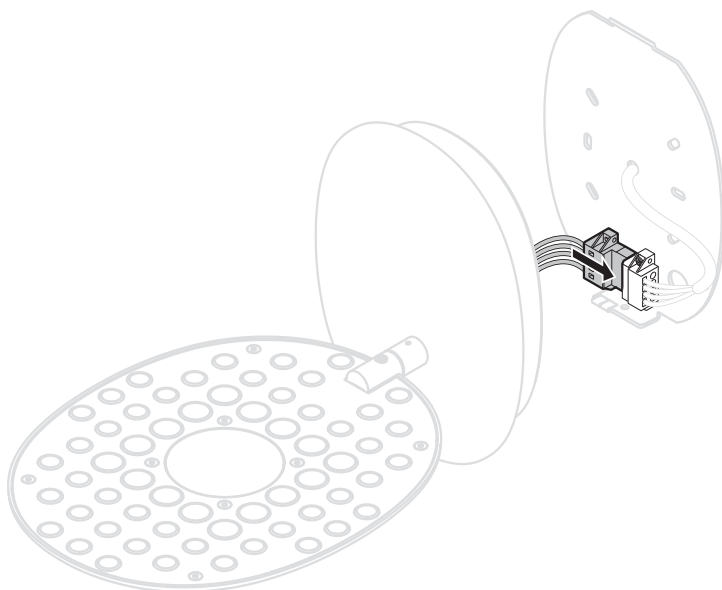
7a



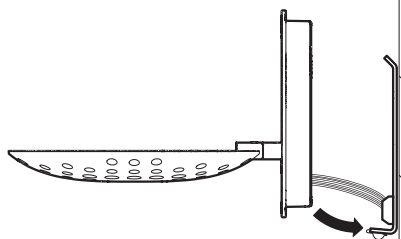
7b



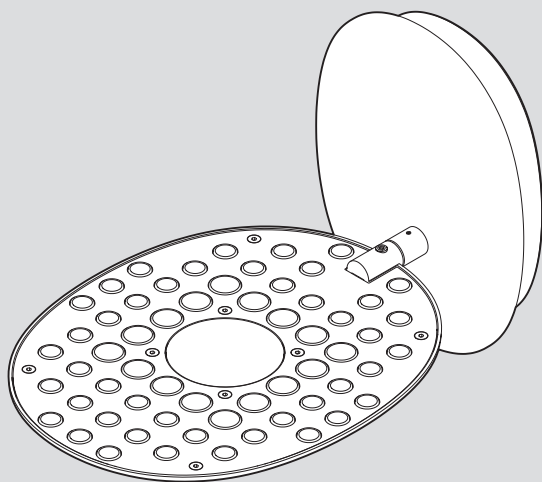
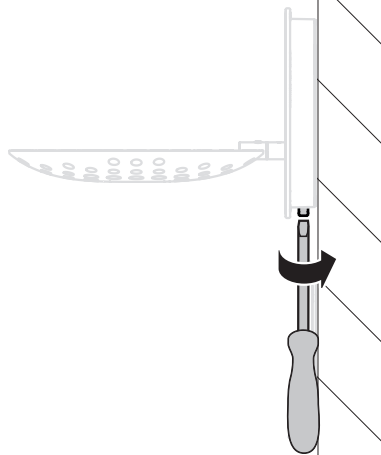
8



9

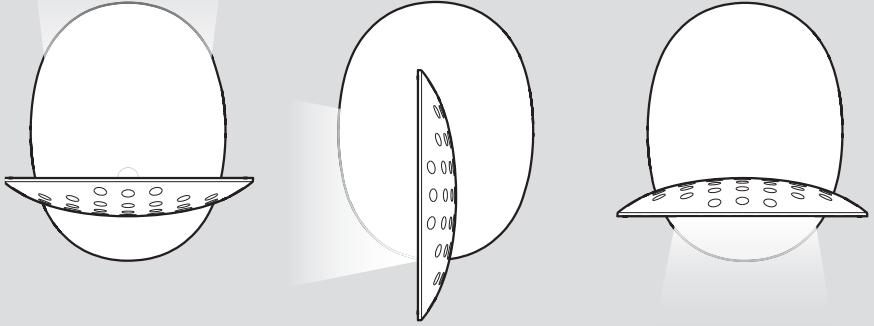


10

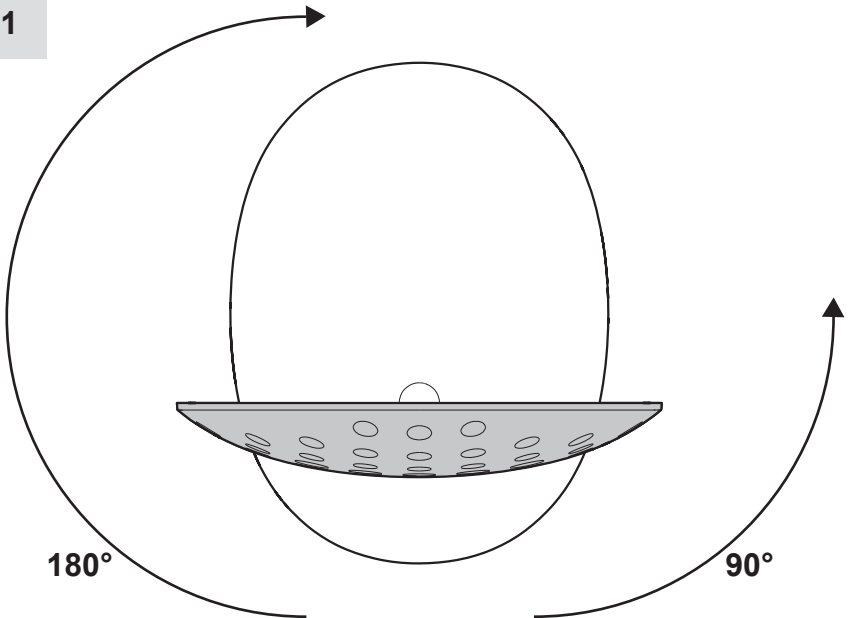




**i**



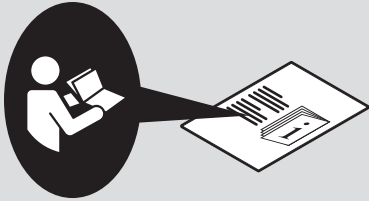
**1**



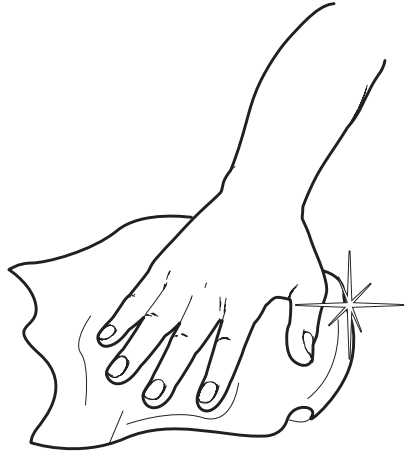




i



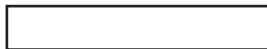
1







**Artemide®**



**Artemide**

via Bergamo, 18  
20010 Pregnana M.se (MI)  
ITALIA

tel. +39 02 935 181  
fax +39 02 935 90 254  
fax +39 02 935 90 496

[www.artemide.com](http://www.artemide.com)

VAT IT00846890150

cod. Y513000140A