

PRODUCT DATA SHEET

Talak tavolo Led - Body


DESIGN BY:

Neil Poulton
2007

MATERIALS:

technopolymer, steel, aluminum

DESCRIPTION:

Materials: base in painted iron; clamp in polished aluminium; stem in chromed polish steel; body lamp in painted thermoplastic resin. Specification: with table base or clamp. The body lamp rotates 360° on the horizontal plane and its height can be adjusted.

SELECT

PRODUCT CODE

0682050A

Light emission

IP20

Dimmable

TECHNICAL DATA SHEET
FEATURES

Product name: Talak tavolo Led - Body
Article Code: 0682050A
Colour: White
Material: technopolymer, steel, aluminum
Series: Design
Environment: Indoor

DIMENSIONS

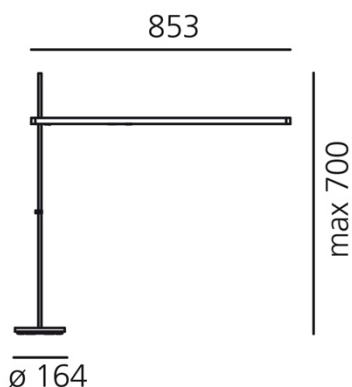
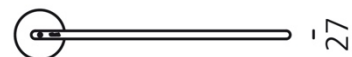
Length: cm 85.3
Height: cm 70
Diameter: cm 16.4
Rotation: 360

LAMPS INCLUDED

Category: LED
Number: 1
Watt: 8,9W
Luminous Flux (lm): 387lm
Color temperature (K): 3000K
Class: A
Voltage: 24V

LUMINAIR

Watt: 8W
Luminous Flux (lm): 387lm
CCT: 3000K
Dimmer
Dimmable

DIMENSIONS

COLOUR

ACCESSORIES



TALAK BASE TAVOLO
0676010A



TALAK MORSETTO
ANODIZZATO BRILLANTATO
0678010A