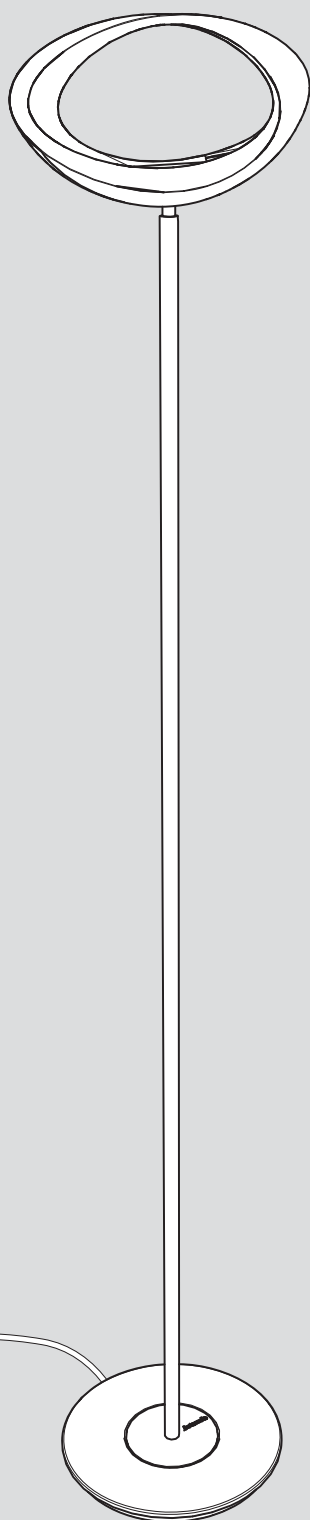
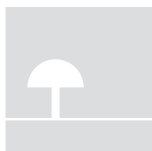


# Artemide®

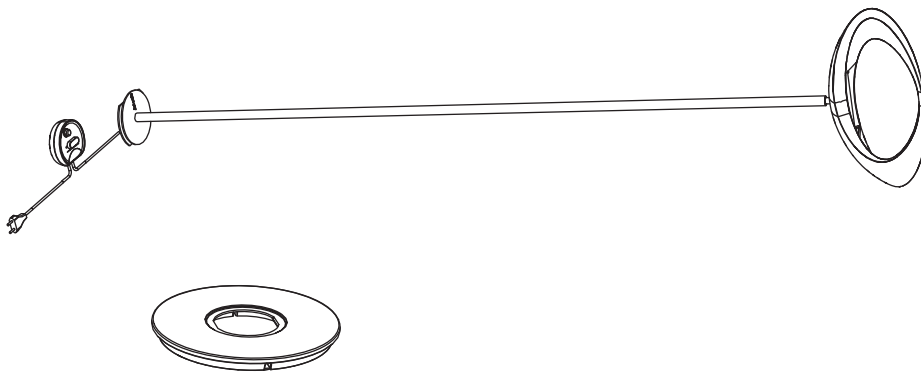
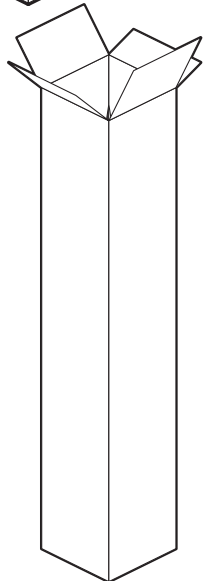
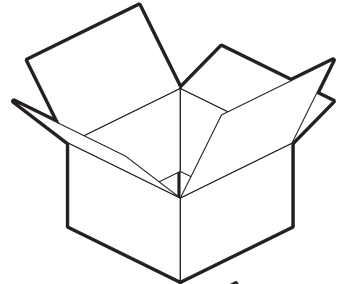
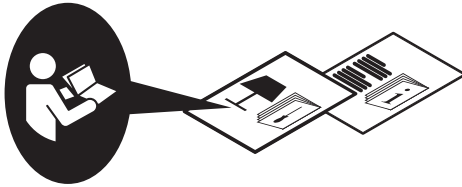
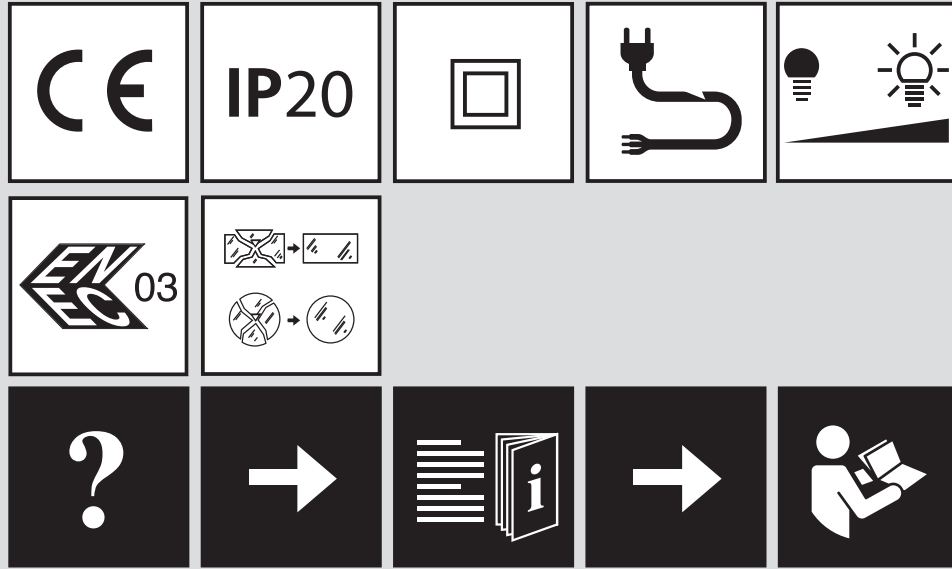
## Cabildo

design  
E. Solè

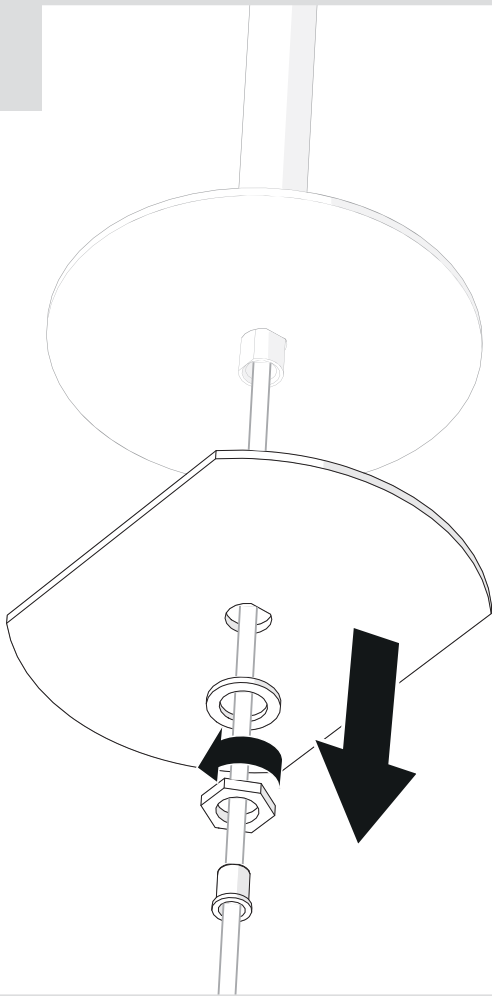




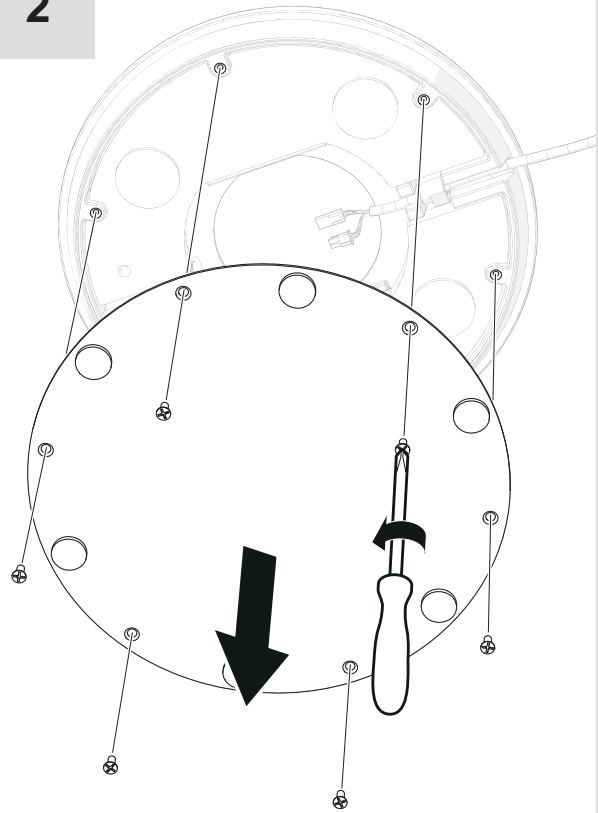
i



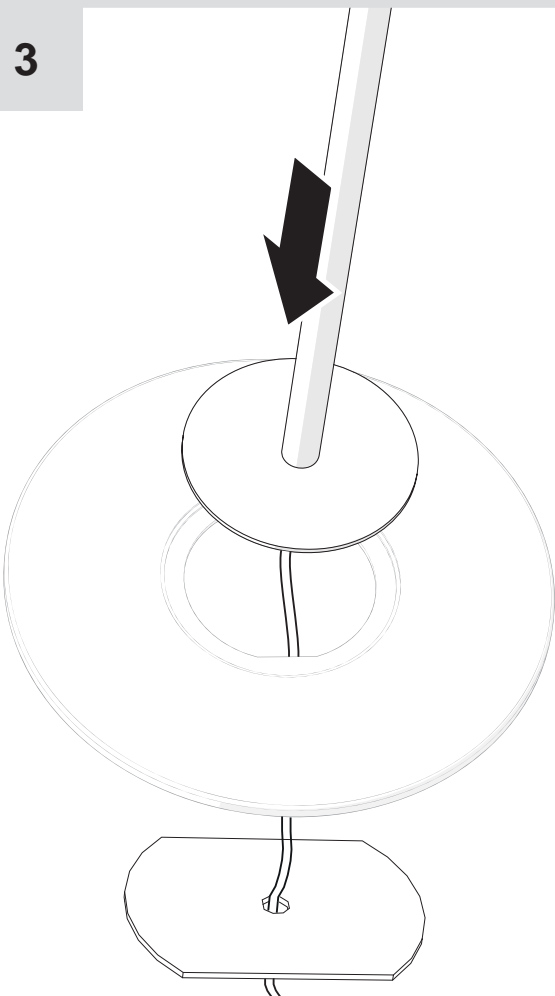
1



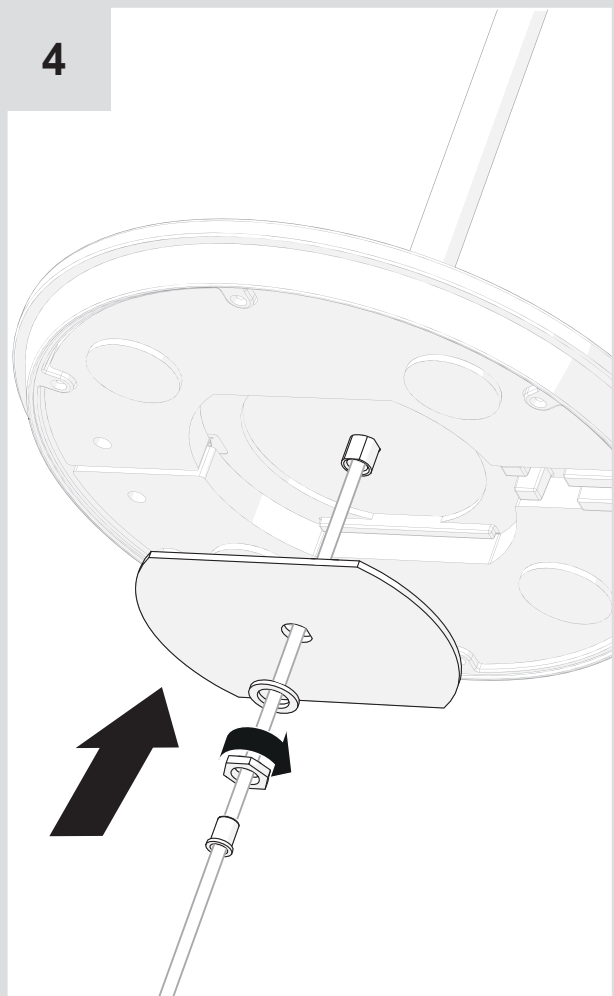
2



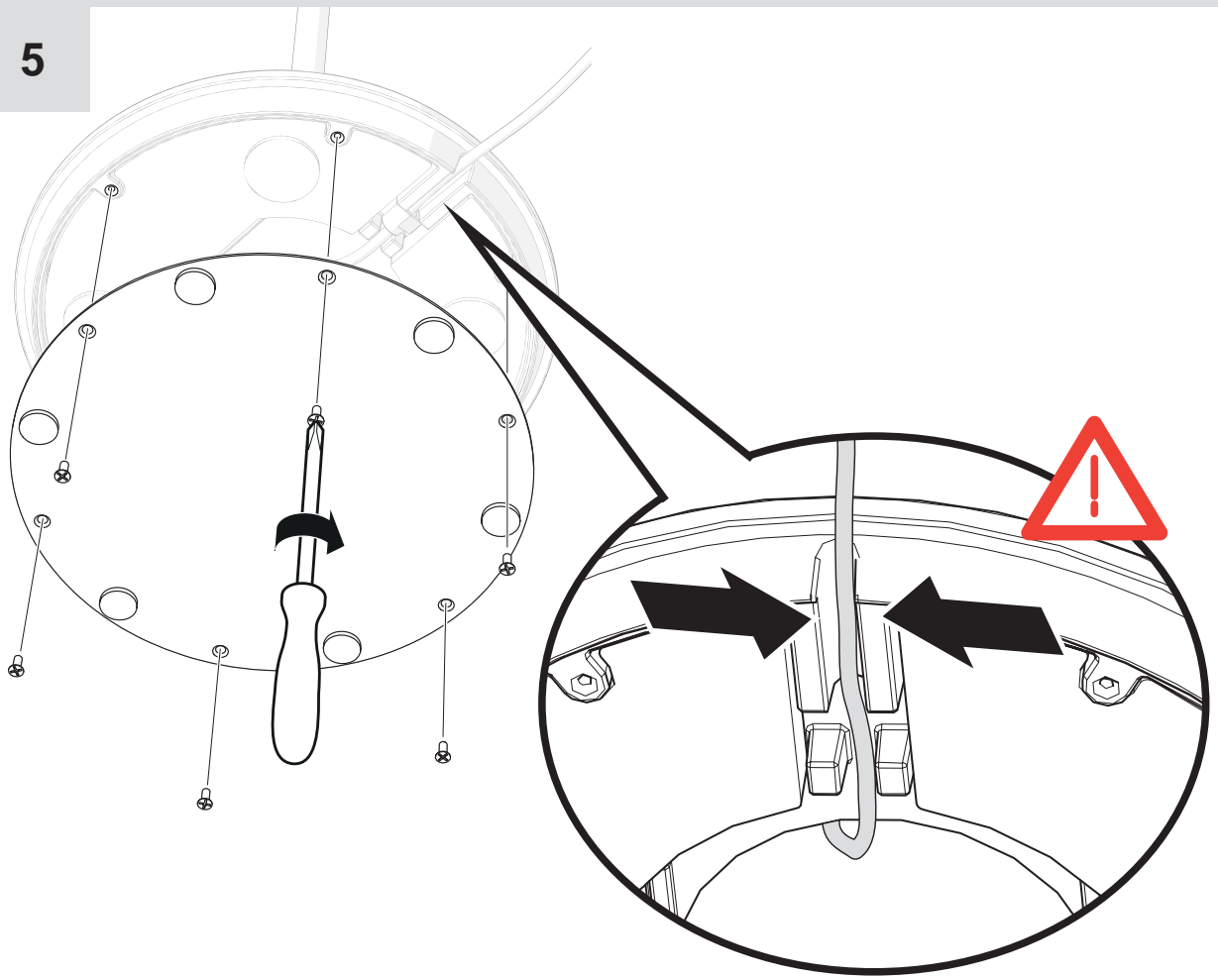
3



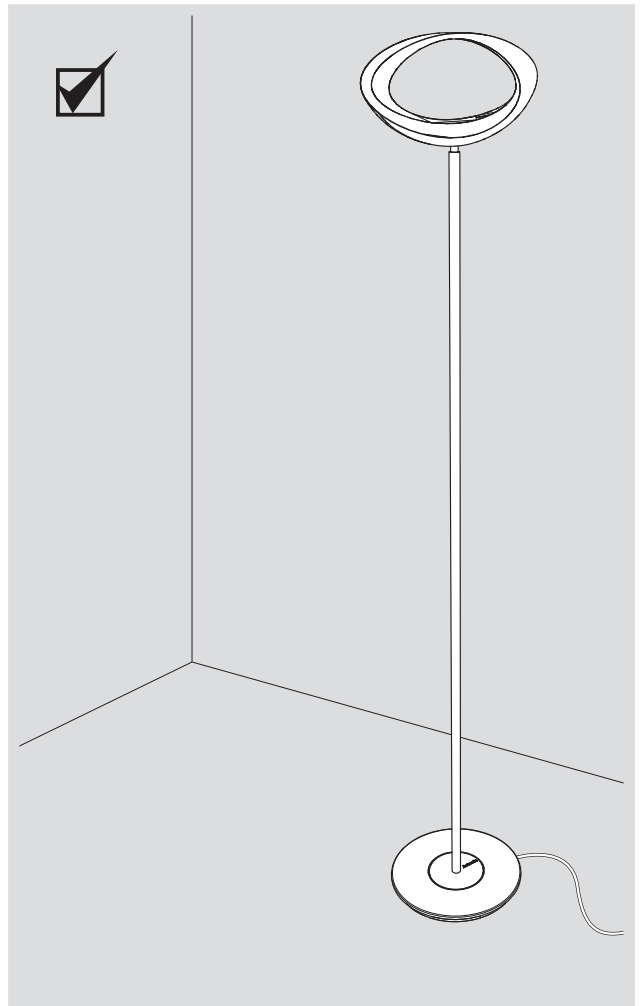
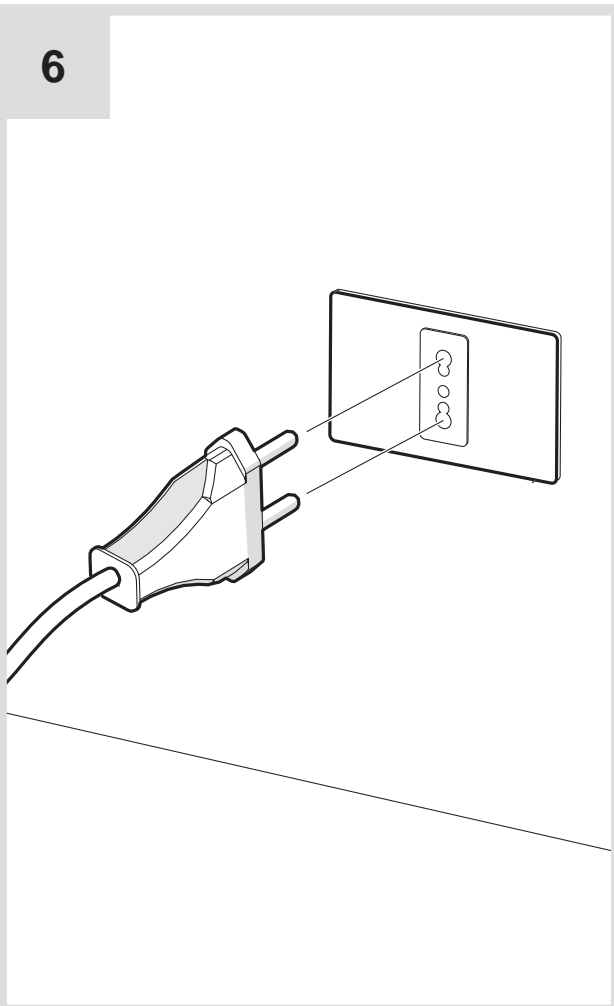
4



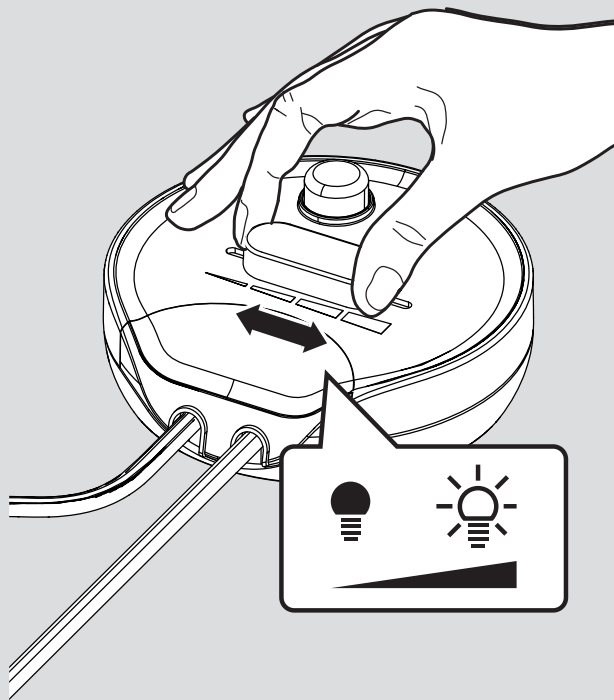
5



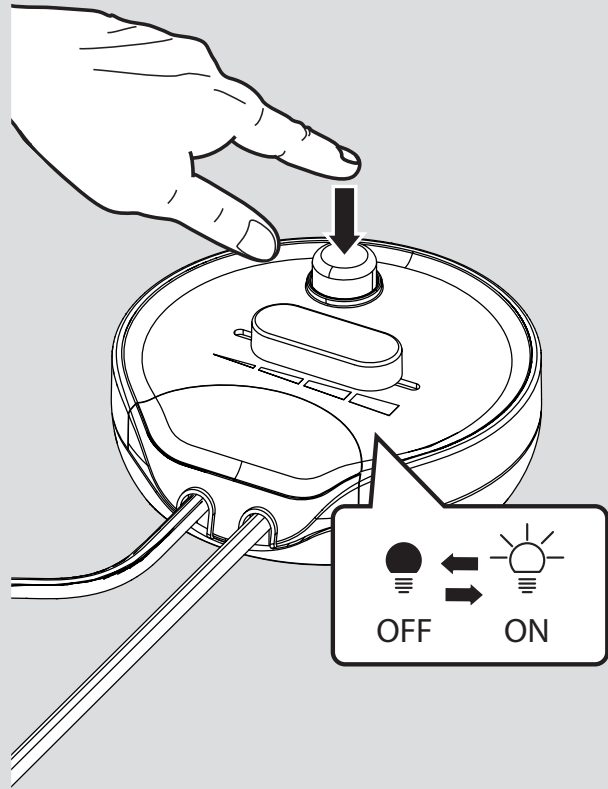
6



i



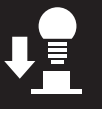
i

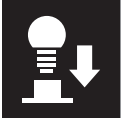


i

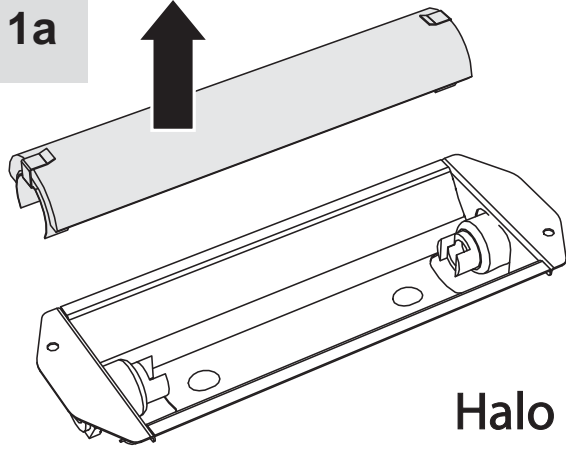


Halo max 10mm	LED max 12mm	118mm	<p><b>MAX 230W - R7s</b></p> <hr/> <p>Halo: HDG - 5000 lm</p> <p>LED: DRDG - 900 lm</p>





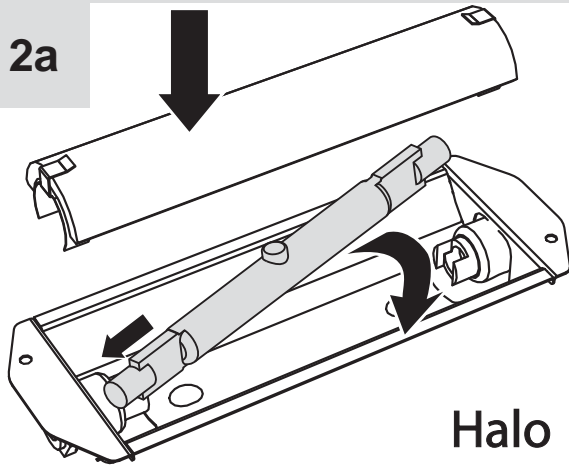
1a



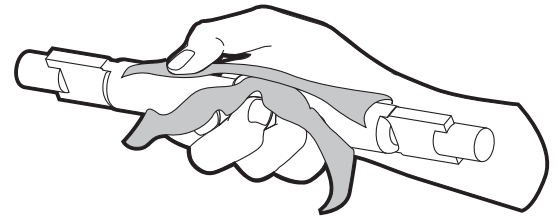
Halo



2a

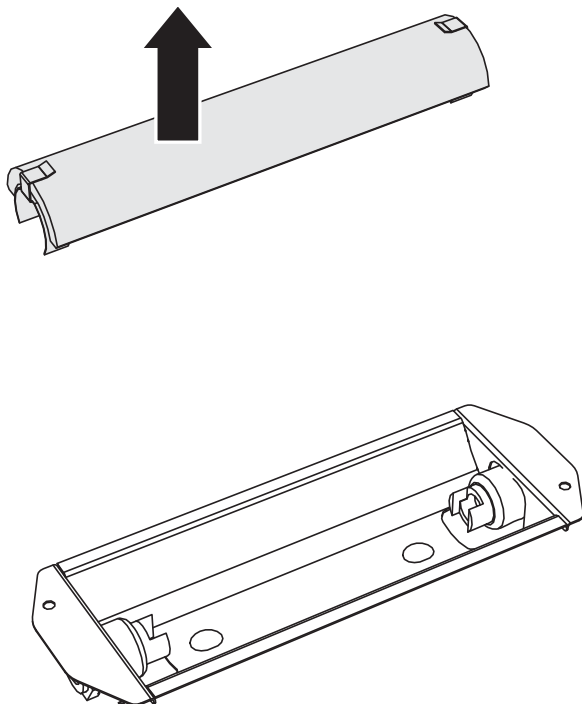


Halo



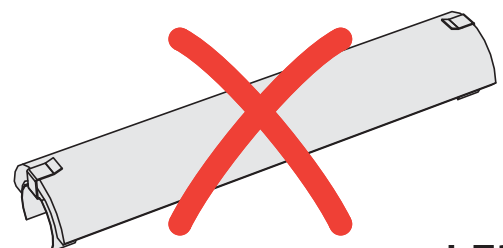
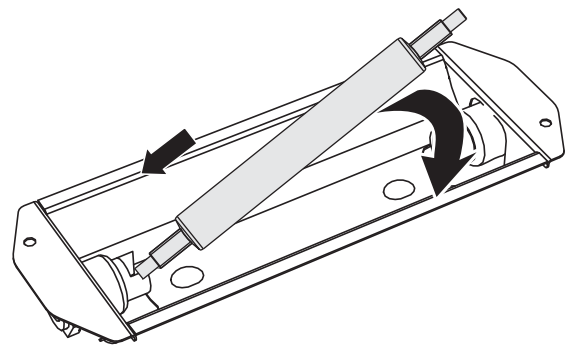
Halo

1b

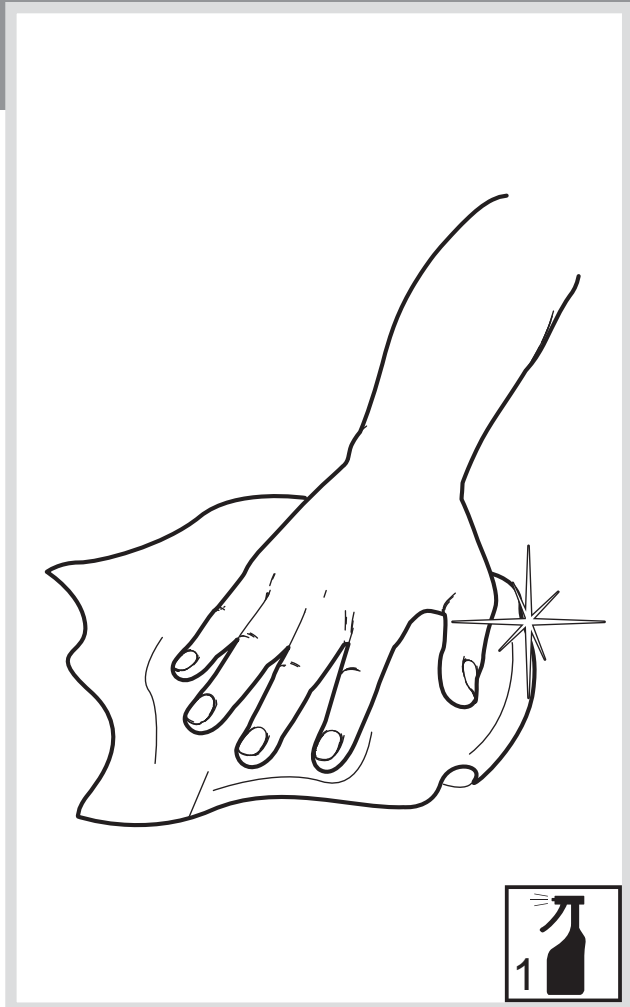
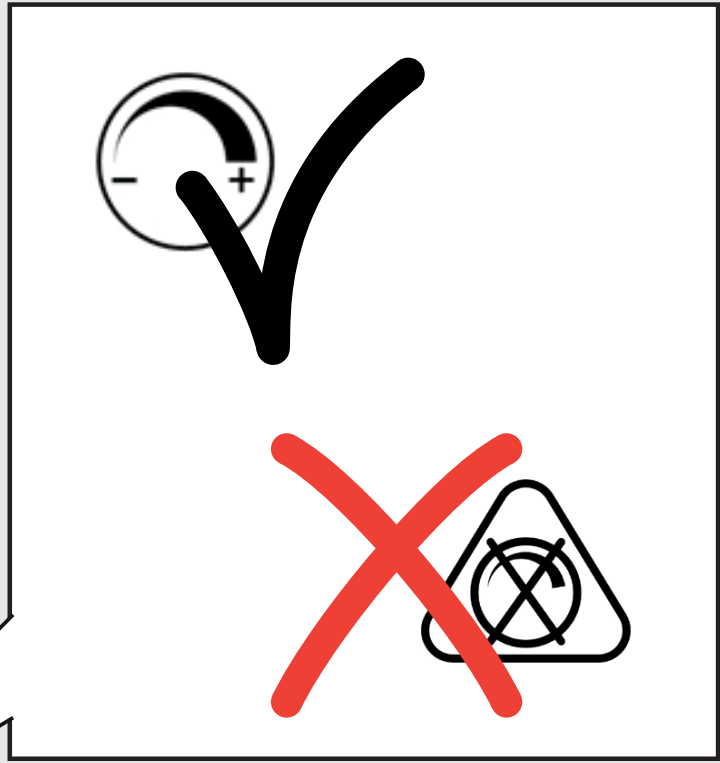
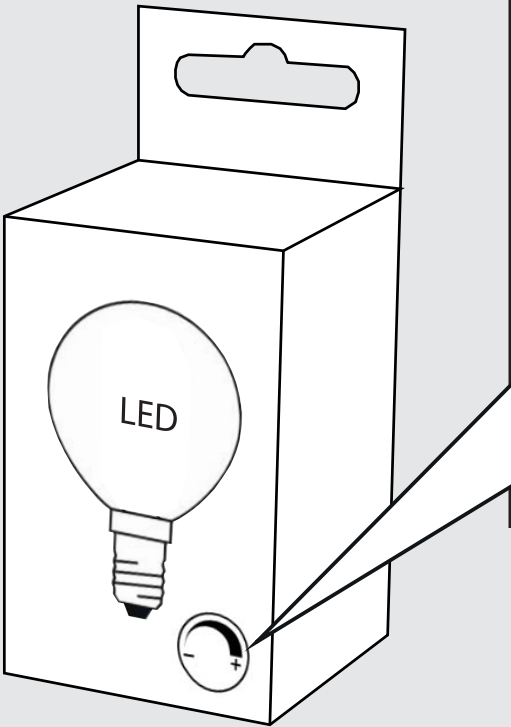


LED

2b



LED



**Artemide®**



## **Artemide**

via Bergamo, 18  
20010 Pregnana M.se (MI)  
ITALIA

tel. +39 02 935 181  
fax +39 02 935 90 254  
fax +39 02 935 90 496

[www.artemide.com](http://www.artemide.com)

VAT IT00846890150

cod. Y513000660