

PRODUCT DATA SHEET

Cabildo Wall



DESIGN BY:

Eric Solè
2007

MATERIALS:

Aluminium

DESCRIPTION:

The indirect light shapes the body lamp, bringing out its winding form and giving it the astonishing appearance of a ring of light. Wall support and body lamp in painted die-cast aluminium.

SELECT

EXTRA HALO / LED

White

PRODUCT CODE

1190010A

Light emission



IP20

Dimmable

TECHNICAL DATA SHEET

FEATURES

Product name:	Cabildo Wall
Article Code:	1190010A
Colour:	White
Material:	Aluminium
Series:	Design
Environment:	Indoor
Area contract:	Private Residence

OPTICS

Emission:	Indirect Diffused
-----------	-------------------

DIMENSIONS

Length:	cm 41
Width:	cm 22
Height:	cm 19
Glow Wire Test:	850 °

LAMPS NOT INCLUDED

Category:	HALO
Number:	1
Lbs:	Qt-de12
Watt:	230W
Socket:	R7s
Type:	Hdg
Luminous Flux (lm):	2950lm
Colour Rendering:	1a
Colour temperature (K):	3000K
Duration (h):	2000h

ALTERNATIVE LAMPS

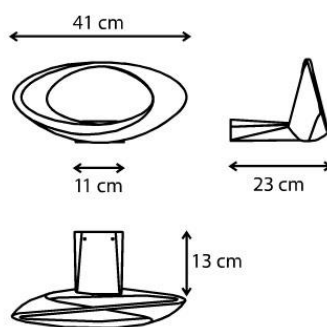
LED retrofit

Category:	LED
Watt:	11W
Luminous Flux (lm):	650lm
Socket:	R7s
Class:	A

LUMINAIR

Watt:	230W
Voltage:	220V-240V

DIMENSIONS



COLOUR



Luminous Flux (lm):	2892lm
CCT:	3000K
Efficiency:	57%
Efficacy:	13lm/W
CRI:	99
Dimmable	