

PRODUCT DATA SHEET

Castore floor 35



DESIGN BY:

Michele De Lucchi , Huub Ubbens
2003

MATERIALS:

Blown glass, polycarbonate, zamak

DESCRIPTION:

The spherical diffuser design is enhanced by a removable-fitting and tapering luminous stem, making a gentle transition from the strong diffuser light to the blind lamp structure area. Base in zamak; stem in thermoplastic resin; blown glass diffuser.

A touch dimmer button on the stem for the storage of the latest light intensity set-up or the use of a local or remote control. Available in two sizes.

SELECT

EXTRA HALO / LED

White

PRODUCT CODE

1055010A

Light emission



IP20

Dimmable

TECHNICAL DATA SHEET

FEATURES

Product name:	Castore floor 35
Article Code:	1055010A
Colour:	White
Material:	Blown glass, polycarbonate, zamak
Series:	Design
Environment:	Indoor
Area contract:	Hospitality Hotel, Retail, Private Residence

DIMENSIONS

OPTICS

Emission:	Diffused
-----------	----------

DIMENSIONS

Height:	cm 182
Diameter:	cm 35
Base Diameter:	cm 34
Impact Resistance:	N/D
Glow Wire Test:	750 °

LAMPS NOT INCLUDED

	Category:	HALO
	Number:	1
	Lbs:	Qt32
	Watt:	150W
	Socket:	E27
	Type:	Hsgsbt/c
	Luminous Flux (lm):	2870lm
	Colour Rendering:	1a
	Colour temperature (K):	2900K
	Duration (h):	2000h

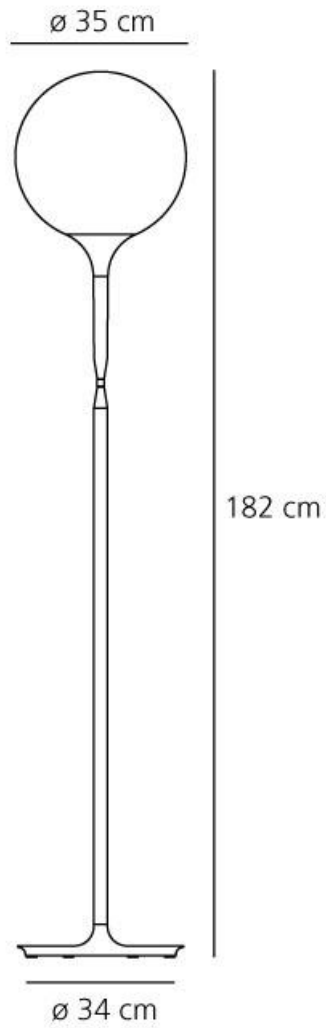
ALTERNATIVE LAMPS

LED retrofit

Category:	LED
Watt:	21W
Luminous Flux (lm):	2452lm
Socket:	E27
Class:	A

LUMINAIR

Watt:	150W
Voltage:	220V-240V
Luminous Flux (lm):	2431lm
CCT:	3000K
Efficiency:	85%
Efficacy:	16lm/W
CRI:	99
Dimmer	
Dimmable	



COLOUR



AWARDS



_2004 Design Plus, light + building Frankfurt am Main (Deutschland)
_2004 Reddot Design Award Essen (Deutschland) _2004 Compasso
d'Oro / A.D.I. Segnalazione – Milano (Italia)