

PRODUCT DATA SHEET

Choose Table - Parchment



DESIGN BY:

Matteo Thun
2006

MATERIALS:

Metal, zamac, polycarbonate, parchment paper

DESCRIPTION:

Base in zamac, grey painted metal structure, adjustable diffuser in transparent polycarbonate, joined with parchment paper.

The diffuser tilts 30° and rotates 350° on its axis.

SELECT

EXTRA HALO / LED

Transparent + Natural

PRODUCT CODE

1128020A

Light emission



IP20

TECHNICAL DATA SHEET

FEATURES

Product name:	Choose Table - Parchment
Article Code:	1128020A
Colour:	Transparent + Natural
Material:	Metal, zamac, polycarbonate, parchment paper
Series:	Design
Environment:	Indoor
Area contract:	Hospitality Hotel

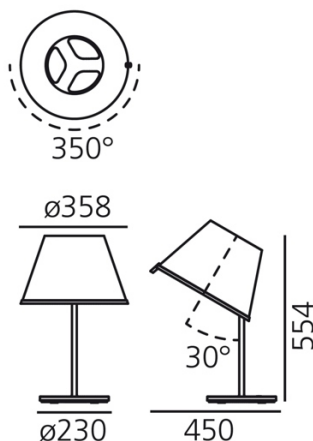
OPTICS

Emission:	Direct Spot
-----------	-------------

DIMENSIONS

Height:	cm 55.4
Diameter:	cm 35.8
Base Diameter:	cm 23
Max Extension Length:	cm 45
Inclination:	30
Rotation:	350
Impact Resistance:	N/D
Glow Wire Test:	750 °

DIMENSIONS



COLOUR



LAMPS NOT INCLUDED

<input type="checkbox"/>	Category:	HALO
	Number:	1
	Watt:	57W
	Socket:	E27
	Luminous Flux (lm):	820lm
	Colour Rendering:	2800K

ALTERNATIVE LAMPS



Category:	LED
Watt:	12W
Luminous Flux (lm):	1060lm
Socket:	E27
Class:	A

Watt:	52W
Voltage:	220V-240V
Luminous Flux (lm):	820lm
CCT:	2800K