

PRODUCT DATA SHEET

Doride



DESIGN BY:

Karim Rashid
2009

MATERIALS:

Steel, aluminium, polycarbonate

DESCRIPTION:

"The leaf is a stroke of a pen, a soft vertical wave in flux, a fluid gesture that changes to vary light – a zoomorphic form that I would describe as digital nature." Materials: steel base; structure in hydroformed metal; anti-dazzle louvre in thermoplastic material.

A joint along the vertical lamp development allows a rotation until 350°, adjusting the light emission and assuming different shapes in the space. Touch dimmer placed on the stem.

SELECT

FLUO

Polished black

PRODUCT CODE

1522030A

Light emission



IP20



TECHNICAL DATA SHEET

FEATURES

Product name:	Doride
Article Code:	1522030A
Colour:	Polished black
Material:	Steel, aluminium, polycarbonate
Series:	Design
Environment:	Indoor
Area contract:	Private Residence

OPTICS

Emission:	Direct adjustable, indirect
-----------	-----------------------------

DIMENSIONS

Height:	cm 161
Base Diameter:	cm 36
Max Extension Height:	cm 221
Rotation:	350
Impact Resistance:	N/D
Glow Wire Test:	N/D °

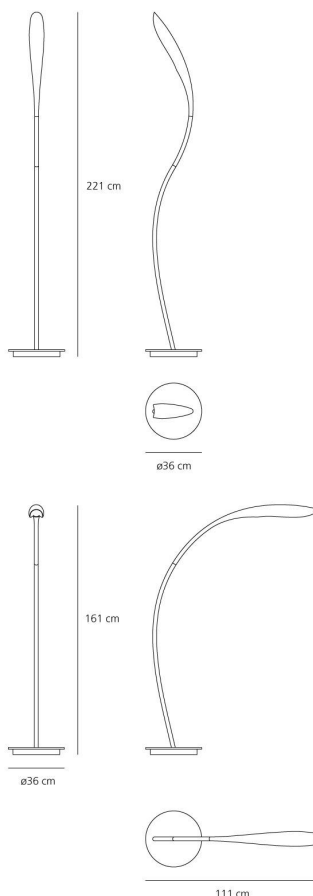
LAMPS INCLUDED

Category:	FLUO
Number:	1
Lbs:	Tc-tel
Watt:	57W
Socket:	Gx24q-5
Type:	Fsmh
Luminous Flux (lm):	4300lm
Colour temperature (K):	3000K
Duration (h):	10000

LUMINAIR

Power Supply:	Electronic
Watt:	57W
Voltage:	220V-240V
Luminous Flux (lm):	4300lm
CCT:	3000K
Dimmer	

DIMENSIONS



COLOUR



AWARDS

_2009 Good Design Award The Chicago Atheneum Chicago (US) _2010 Design Innovationen Design Zentrum Nordrhein Westfalen Reddot Design Award Essen (Deutschland) _2011 iF Produkt Design Award Hannover (Deutschland)