

## PRODUCT DATA SHEET

### Eclisse White


**DESIGN BY:**

Vico Magistretti  
1967

**MATERIALS:**

steel, technopolymer

**DESCRIPTION:**

Materials: painted metal. Wall mounting possibility.

**SELECT**

EXTRA HALO / LED

White

**PRODUCT CODE**

0028010A

**Light emission**


IP20

**TECHNICAL DATA SHEET**
**FEATURES**

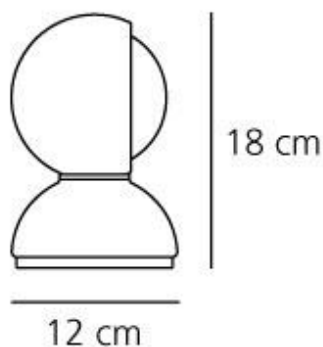
Product name:	Eclisse White
Article Code:	0028010A
Colour:	White
Material:	steel, technopolymer
Series:	Design, Modern Classic
Environment:	Indoor
Area contract:	Private Residence

**OPTICS**

Emission:	Diffused And Direct
-----------	---------------------

**DIMENSIONS**

Height:	cm 18
Diameter:	cm 12
Base Diameter:	cm 12
Impact Resistance:	N/D
Glow Wire Test:	850 °

**DIMENSIONS**

**COLOUR**

**LAMPS NOT INCLUDED**

<input type="checkbox"/>	Category:	HALO
	Number:	1
	Watt:	25W
	Socket:	E14
	Class:	A

**ALTERNATIVE LAMPS**
**LED retrofit**

Category:	LED
Watt:	4W
Luminous Flux (lm):	370lm
Socket:	E14
Class:	A

**LUMINAIR**

Watt:	25W
Voltage:	220V-240V
Luminous Flux (lm):	170lm
CCT:	2800K

**AWARDS**



1967 Compasso d'Oro/ADI XIV Triennale de Milan (Italie)