

PRODUCT DATA SHEET

Edge 30 - Suspension


DESIGN BY:

Alessandro Mendini
2004

MATERIALS:

Technopolymer

DESCRIPTION:

With thermoplastic diffuser: whiteAbility to mount LED light source E27 (LED light source not included).

SELECT

EXTRA FLUO / LED

White

PRODUCT CODE

1294010A

Light emission


IP65   

Dimmable
TECHNICAL DATA SHEET
FEATURES

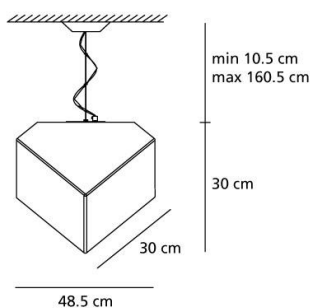
Product name:	Edge 30 - Suspension
Article Code:	1294010A
Colour:	White
Material:	Technopolymer
Series:	Design
Environment:	Indoor
Area contract:	Hospitality Hotel, Private Residence

OPTICS


Emission:	Diffused
-----------	----------

DIMENSIONS

Width:	cm 48.5
Height:	cm 40.5
Max Height from ceiling:	cm 190
Impact Resistance:	N/D
Glow Wire Test:	750°C

DIMENSIONS

COLOUR

LAMPS NOT INCLUDED

	Category:	FLUO
	Number:	1
	Lbs:	Tc-tse
	Watt:	23W
	Socket:	E27
	Type:	Fb
	Luminous Flux (lm):	1500lm
	Colour Rendering:	1b
	Colour temperature (K):	2700K

ALTERNATIVE LAMPS


Category:	LED
Watt:	21W
Luminous Flux (lm):	2452lm
Socket:	E27
Class:	A

Watt:	23W
Voltage:	220V-240V
Luminous Flux (lm):	1500lm
CCT:	2700K
Dimmable	