

PRODUCT DATA SHEET

Fiamma Wall - Grey



DESIGN BY:

Wilmotte & Industries
2014

MATERIALS:

Polycarbonate, aluminum, steel

DESCRIPTION:

"Modular and adjustable, Fiamma works with a LED source base and a set of accessories to meet the different needs of lighting in hotels: bedside lamp, floor lamp, wall lamp, suspension light. The look is willing to be « domestic », to feel like being at home, in order to reinforce the cosines of the object." Fiamma is a systemic lighting element designed to respond to the needs of the contract sector, yet well suited also for everyday living environments. An anodized aluminium cylinder with a specific texture – a perfect combination of look and functionality – is the true luminous engine of the system. The light emitted by the LED source is cleverly controlled by a transparent diffuser, designed with an anti-reflex texture, to ensure visual comfort in all usage conditions. Different supports can be assembled on it, all made of carefully processed aluminium, to obtain a variety of versions – suspension, ceiling, reading, table.

SELECT

EXTRA LED

Red

PRODUCT CODE

1986010A

Light emission



Dimmable

TECHNICAL DATA SHEET

FEATURES

Product name:	Fiamma Wall - Grey
Article Code:	1986010A
Colour:	Red
Material:	Polycarbonate, aluminum, steel
Series:	Design

DIMENSIONS

Width:	cm 22.8
Height:	cm 26.7
Cutout shape:	Squared

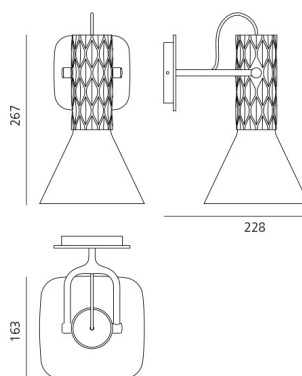
LAMPS NOT INCLUDED

LED retrofit	Category:	LED
	Watt:	8W
	Socket:	GU10
	Class:	A
	Voltage:	230V

LUMINAIR

Watt:	8W
Luminous Flux (lm):	390lm
Efficiency:	95%
Dimmable	

DIMENSIONS



COLOUR

