

PRODUCT DATA SHEET

Genesy - White - Halo+Led



DESIGN BY:

Zaha Hadid
2009

MATERIALS:

Technopolymer, steel

DESCRIPTION:

"As in the organic development of trees, a sweeping canopy emerges through an extensive interconnected supporting network at the base. The primary components of this organic analogy are transformed from abstract diagrams into Genesy's fluid design. The lamp's structure increases in complexity as it rises from the floor. Like a growing organism, the central support sprouts branches that adopt a greater radial geometry to enhance the dynamic tensional forces of the structure. Nature continues to inform the design as these branches frame voids, enhancing the contrast between positive and negative, convex and concave, tension and compression." Injection-moulded foampolyurethane.

With touch dimmer. Direct Led light and indirect light (halogen or HQI) are manageable separately by two touch dimmers placed on the body lamp.

SELECT

LED - EXTRA HALO / LED

Polished white

PRODUCT CODE

1491020A

Light emission



IP20   

Dimmable 

TECHNICAL DATA SHEET

FEATURES

Product name:	Genesy - White - Halo+Led
Article Code:	1491020A
Colour:	Polished white
Material:	Technopolymer, steel
Series:	Design
Environment:	Indoor
Area contract:	Private Residence

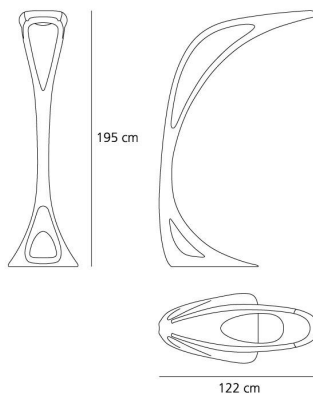
OPTICS

Emission:	Direct,indirect
-----------	-----------------

DIMENSIONS

Length:	cm 122
Height:	cm 188
Impact Resistance:	N/D
Glow Wire Test:	N/D °

DIMENSIONS



LAMPS INCLUDED

LED	Category:	LED
	Number:	1
	Watt:	12W
	Luminous Flux (lm):	450lm
	Color Rendering:	N/s
	Color temperature (K):	3000K

COLOUR



LAMPS NOT INCLUDED

-----	Category:	HALO
	Number:	1
	Lbs:	Qt-de12
	Watt:	230W
	Socket:	R7s
	Type:	Hdg
	Luminous Flux (lm):	2950lm
	Colour Rendering:	1a
	Colour temperature (K):	3000K
	Duration (h):	2000h

ALTERNATIVE LAMPS

LED
retrofit

Category: LED
Watt: 11w
Luminous Flux (lm): 1110lm
Socket: R7s
Class: A

LUMINAIR

Watt: 230W + 12W
Voltage: 220V-240V
Luminous Flux (lm): 5000+450lm
CCT: 2950+3000 K
Dimmer
Dimmable