

PRODUCT DATA SHEET

Demetra Micro Table - Polished black 3000K



DESIGN BY:

Naoto Fukasawa

MATERIALS:

Head and base in die-cast aluminum, arm in extruded aluminum

DESCRIPTION:

Demetra micro, in the table and wall version with arm, offers the same freedom of the traditional version, i.e. utmost flexibility in directing light across space. While its power and flow are just slightly reduced compared to the classical version, it has all the same pluses in terms of operation and lighting performance. warm light tone very high Cri 90 light quality maximum performance Dimmable with microswitch located on the appliance's head, it emits warm light with a very high colour yield (Cri 90) Its dimension is therefore minimized to fit into the smallest spaces and to expand the range of potential applications of the entire Demetra family, ideal for work and hospitality locations, as well as for home use.

SELECT

LED

Base

Polished black

PRODUCT CODE

1747040A

Light emission



Dimmable

TECHNICAL DATA SHEET

FEATURES

Product name:	Demetra Micro Table - Polished black 3000K
Article Code:	1747040A
Colour:	Polished black
Material:	Head and base in die-cast aluminum, arm in extruded aluminum
Series:	Design
Environment:	Indoor

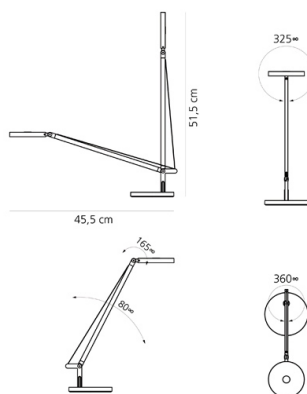
OPTICS

Emission:	Direct
-----------	--------

DIMENSIONS

Length:	cm 13
Width:	cm 12
Height:	cm 14
Diameter:	cm 10
Base Diameter:	cm 12
Max Extension Height:	cm 51
Max Extension Length:	cm 48
Glow Wire Test:	750 °

DIMENSIONS



COLOUR



LAMPS INCLUDED

Category:	LED COB
Number:	1
Watt:	6W
Luminous Flux (lm):	780lm
Color temperature (K):	3000K
Class:	A

LUMINAIR

Watt:	6W
Voltage:	100-240V
Luminous Flux (lm):	257lm
CCT:	3000K
Efficiency:	49%
Efficacy:	43lm/W
CRI:	90

