

Artemide®

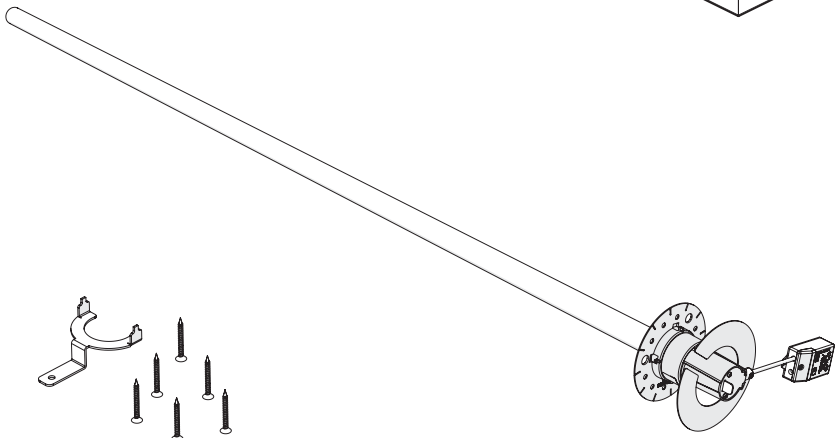
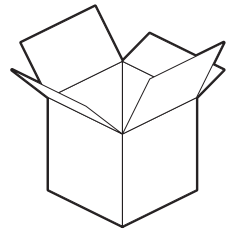
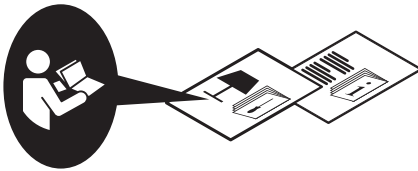
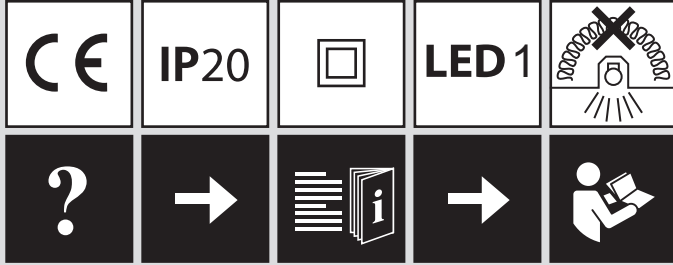
losif

design
Studio Milodamalo

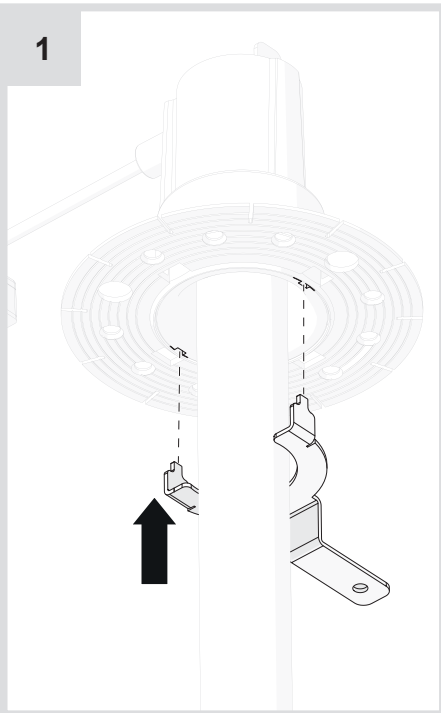




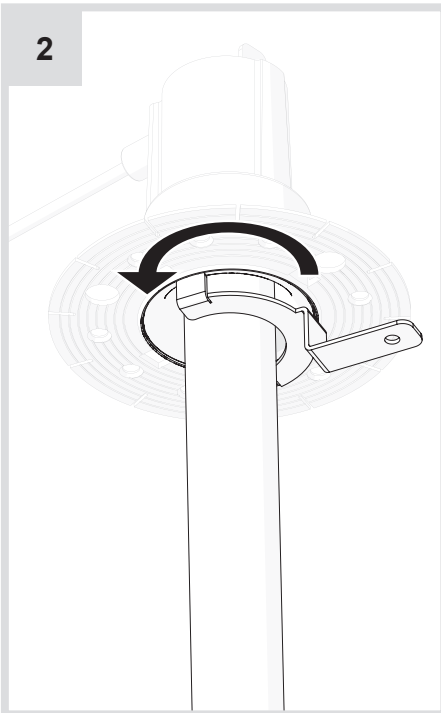
i



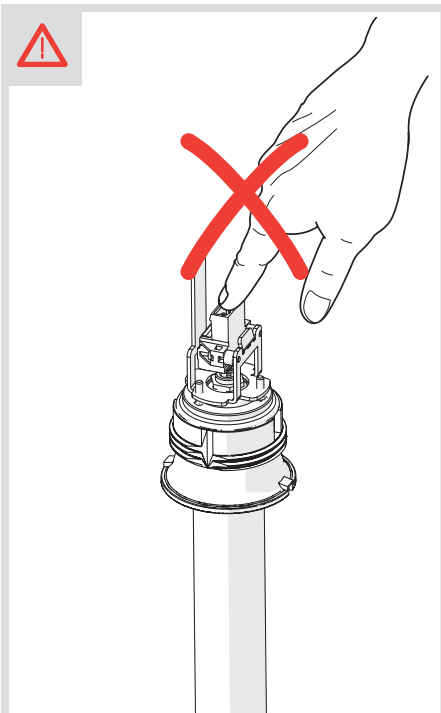
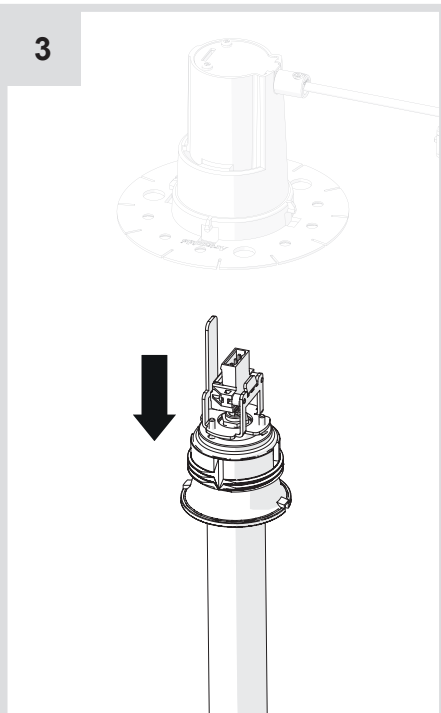
1



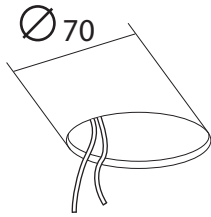
2



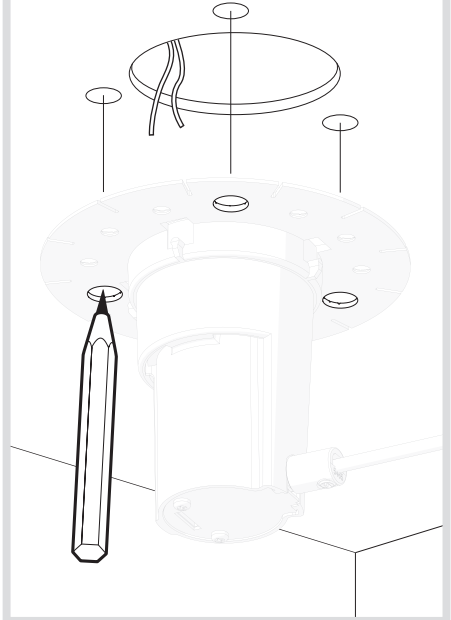
3



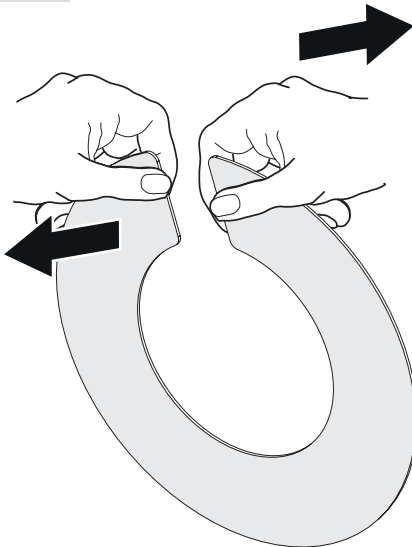
4



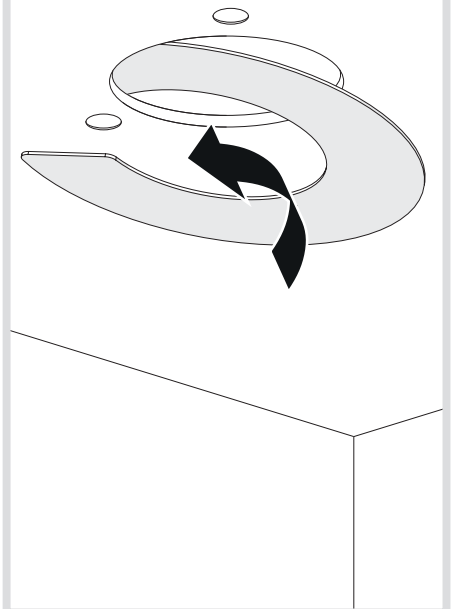
5



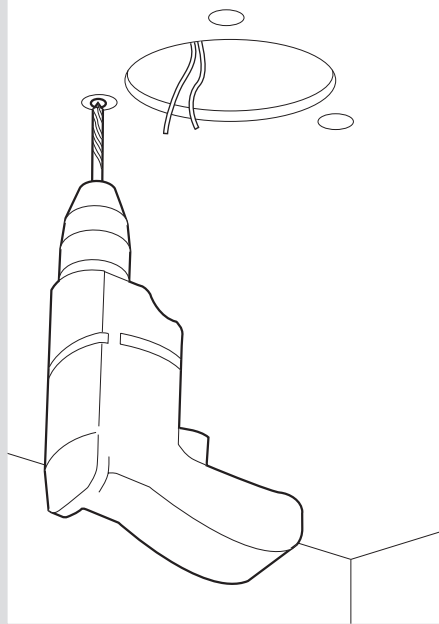
6



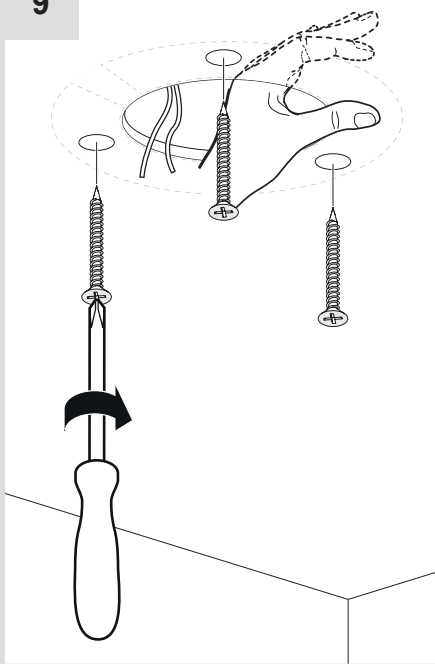
7



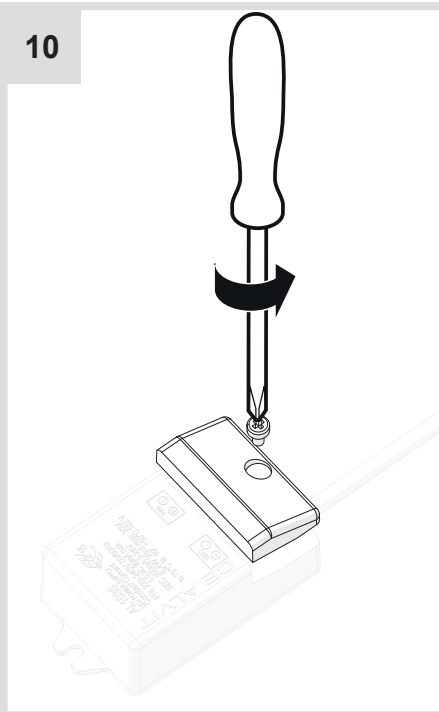
8



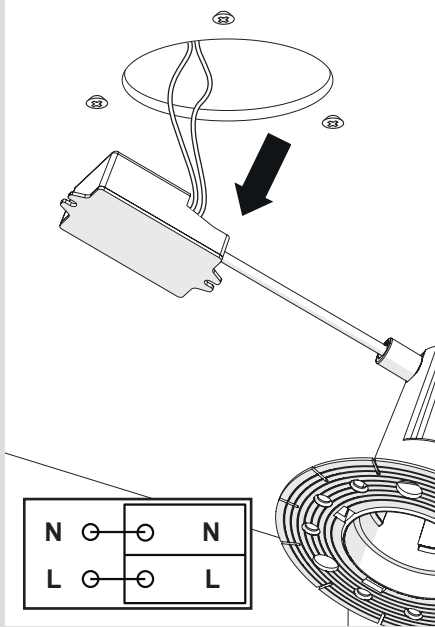
9



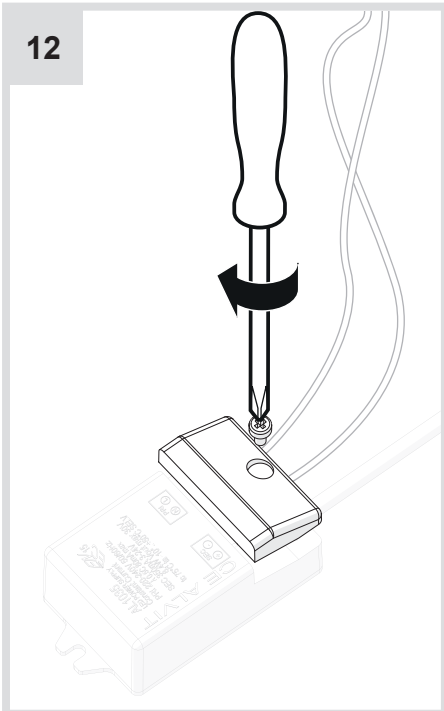
10



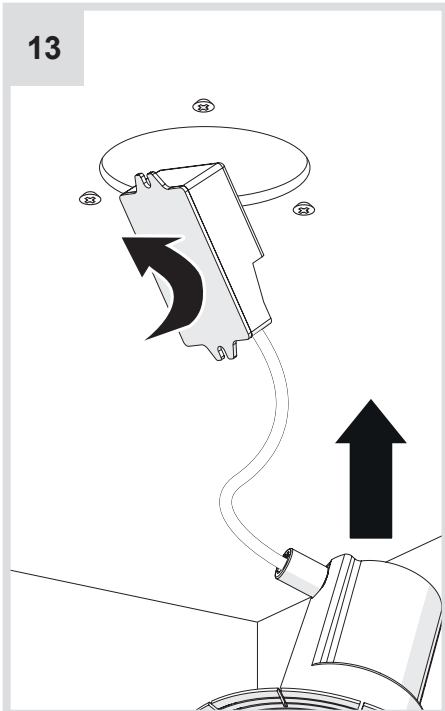
11



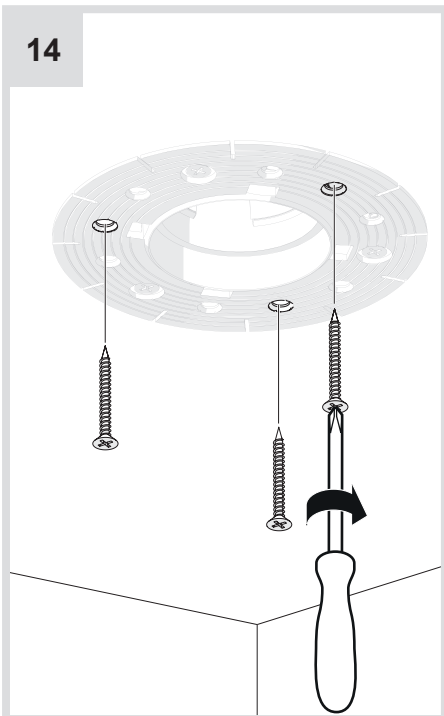
12



13



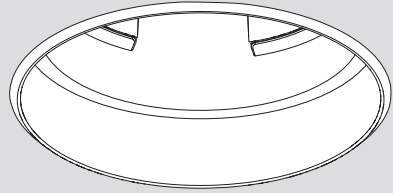
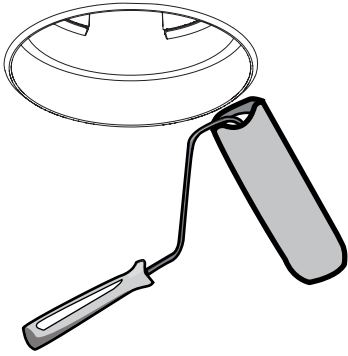
14



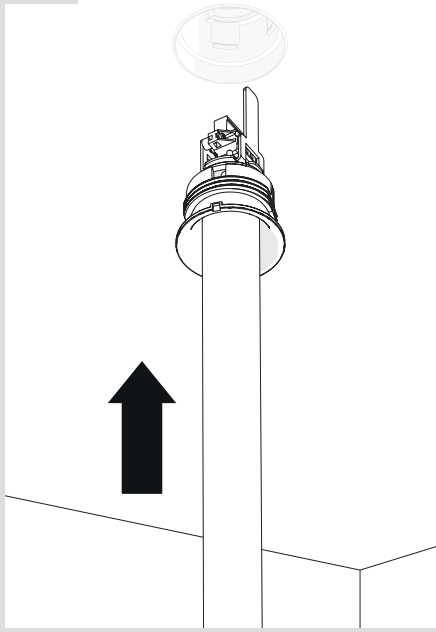
15



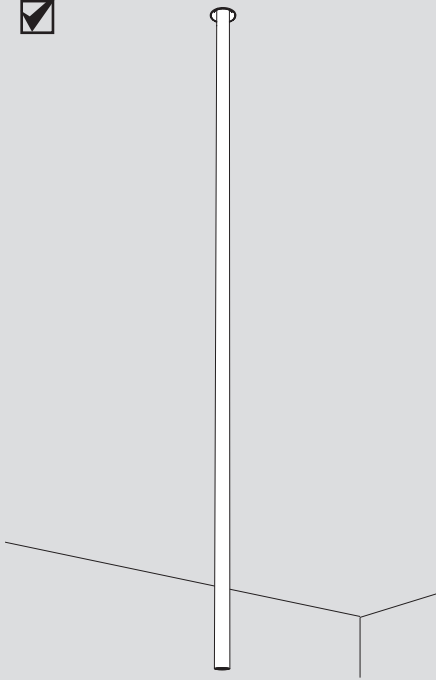
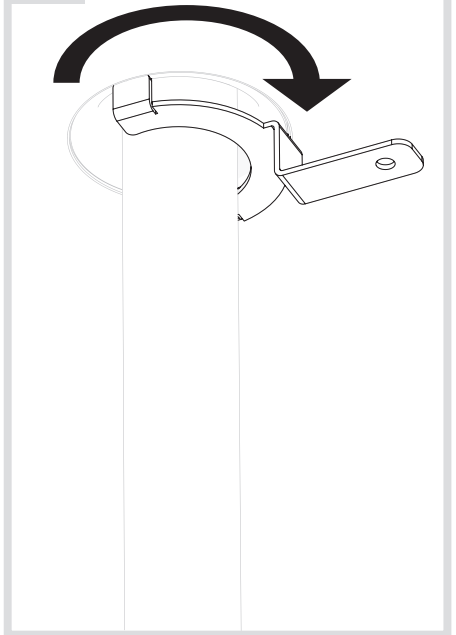
16

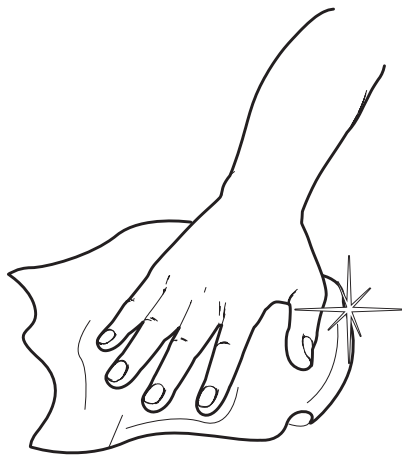


17

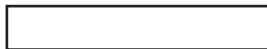


18





Artemide®



Artemide

via Bergamo, 18
20010 Pregnana M.se (MI)
ITALIA

tel. +39 02 935 181
fax +39 02 935 90 254
fax +39 02 935 90 496

www.artemide.com

VAT IT00846890150

cod. Y513000318