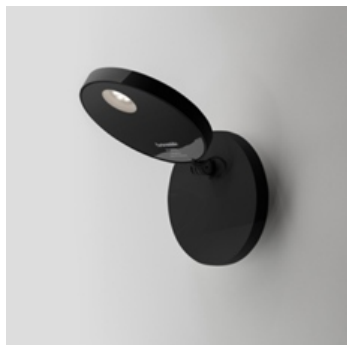


## PRODUCT DATA SHEET

### Demetra spotlight LED black


**DESIGN BY:**

Naoto Fukasawa  
2013

**MATERIALS:**

Polished Aluminium

**DESCRIPTION:**

Base, head and arms in painted aluminium. Adjustable arms and head.

**SELECT**



**PRODUCT CODE**

1731040A

**Light emission**

IP20

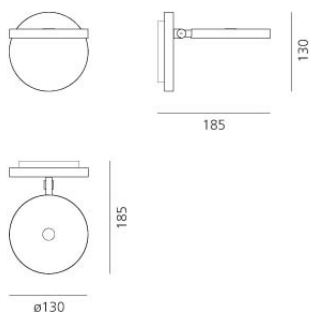
Dimmable

**TECHNICAL DATA SHEET**
**FEATURES**

**Product name:** Demetra spotlight LED  
black  
**Article Code:** 1731040A  
**Colour:** Black  
**Material:** Polished Aluminium  
**Series:** Design

**DIMENSIONS**

**Length:** cm 18.5  
**Height:** cm 13  
**Diameter:** cm 13  
**Impact Resistance:** N.D.  
**Glow Wire Test:** 650 °

**DIMENSIONS**

**LAMPS INCLUDED**

**Category:** LED  
**Number:** 1  
**Watt:** 10W  
**Luminous Flux (lm):** 392lm  
**Color temperature (K):** 3000K  
**Class:** A

**COLOUR**

**LUMINAIR**

**Watt:** 10W  
**Voltage:** 220V-240V  
**Luminous Flux (lm):** 392lm  
**CCT:** 3000K  
**Efficiency:** 85%  
**Efficacy:** 41.3lm/W  
**CRI:** 90