

PRODUCT DATA SHEET

Melampo wall - Alluminium with switch



DESIGN BY:

Adrien Gardère
2003

MATERIALS:

Technopolymer, silk satin fabric, aluminium

DESCRIPTION:

Adjustable diffuser into two different positions. With on-off switch on body Imp.

SELECT

EXTRA HALO / LED

Wall

Aluminium grey

PRODUCT CODE

0721010A

Light emission



IP20

Dimmable

TECHNICAL DATA SHEET

FEATURES

Product name:	Melampo wall - Alluminium with switch
Article Code:	0721010A
Colour:	Aluminium grey
Material:	Technopolymer, silk satin fabric, aluminium
Series:	Design
Environment:	Indoor
Area contract:	Hospitality Hotel, Hospitality Restaurant, Private Residence

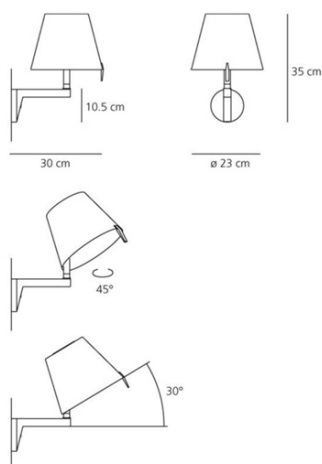
OPTICS

Emission:	Diffused And Direct, indirect
-----------	-------------------------------

DIMENSIONS

Width:	cm 30
Height:	cm 35
Diameter:	cm 23
Base Diameter:	cm 10.5
Inclination:	30
Rotation:	4.5
Impact Resistance:	N/D
Glow Wire Test:	650 °

DIMENSIONS



COLOUR



LAMPS NOT INCLUDED

<input type="checkbox"/>	Category:	HALO
	Number:	1
	Watt:	42W
	Socket:	E14
	Luminous Flux (lm):	630lm
	Colour temperature (K):	2800K

ALTERNATIVE LAMPS

LED retrofit:

Category:	LED
Watt:	6W
Luminous Flux (lm):	470lm
Socket:	E14
Class:	A

LUMINAIR

Watt: 46 W
Voltage: 220V-240V
Luminous Flux (lm): 630lm
CCT: 2800K
Dimmable