

PRODUCT DATA SHEET

Nebula gold



DESIGN BY:

Ross Lovegrove
2012

MATERIALS:

Technopolymer, aluminium

DESCRIPTION:

"Generated from advanced parametric scripting the vortices act as light capturing forms, emitting a glowing light phenomena from a ring of LEDs located in its circumference. Intended for mounting in either singular or multiple clusters across walls or ceilings ".Ross Lovegrove

SELECT

LED

gold

PRODUCT CODE

1699020A

Light emission



IP20

TECHNICAL DATA SHEET

FEATURES

Product name:	Nebula gold
Article Code:	1699020A
Colour:	gold
Material:	Technopolymer, aluminium
Series:	Design
Environment:	Indoor
Area contract:	Hospitality Hotel, Private Residence

OPTICS

Emission:	Diffused
-----------	----------

DIMENSIONS

Depth:	cm 14
Diameter:	cm 80
Impact Resistance:	N/D
Glow Wire Test:	750°C

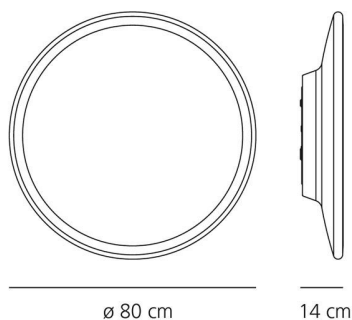
LAMPS INCLUDED

Category:	LED
Number:	1 x 12
Watt:	48W
Wattage (Single):	4
Luminous Flux (lm):	1700lm
Color temperature (K):	3000K
Class:	A
Voltage:	24Vcc

LUMINAIR

Watt:	47W
Voltage:	24Vcc
Luminous Flux (lm):	2087lm
CCT:	3000K

DIMENSIONS



COLOUR



Polar Curve

