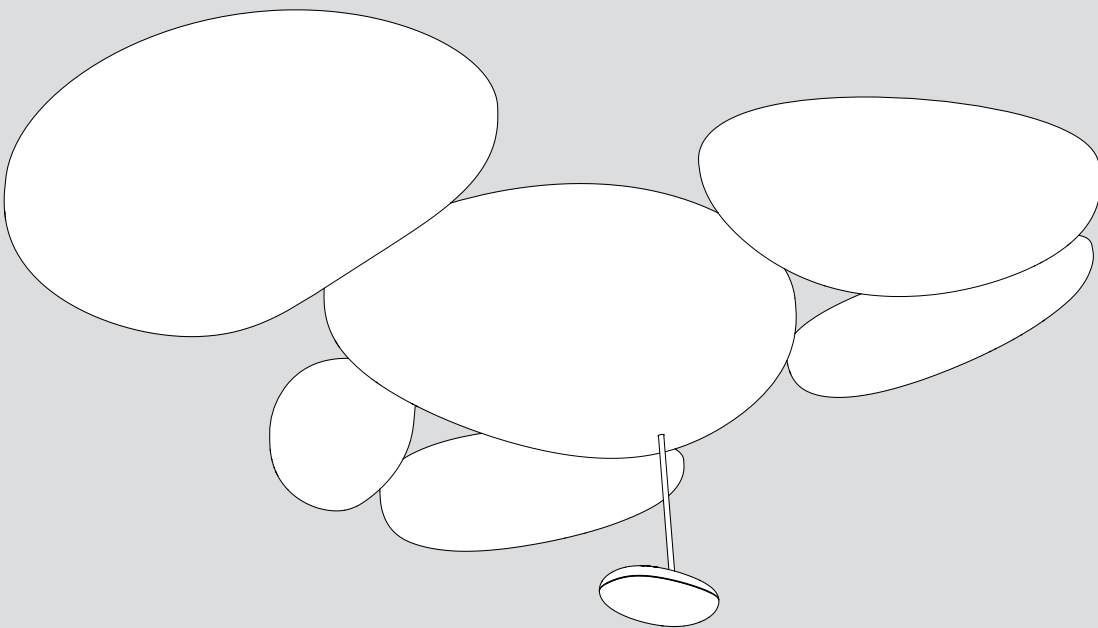


Artemide®

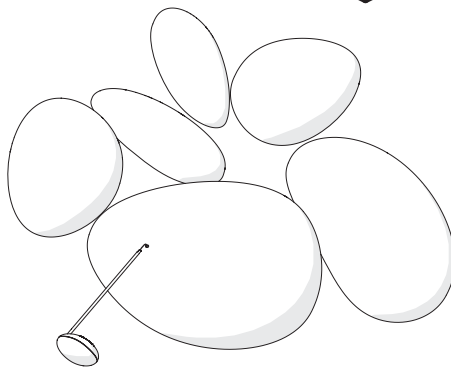
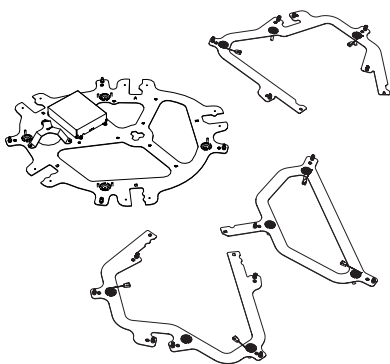
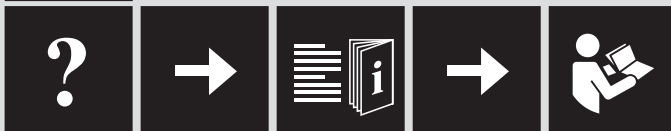
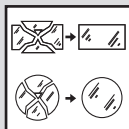
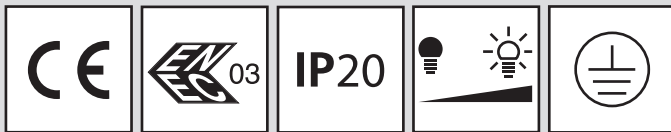
Skydro

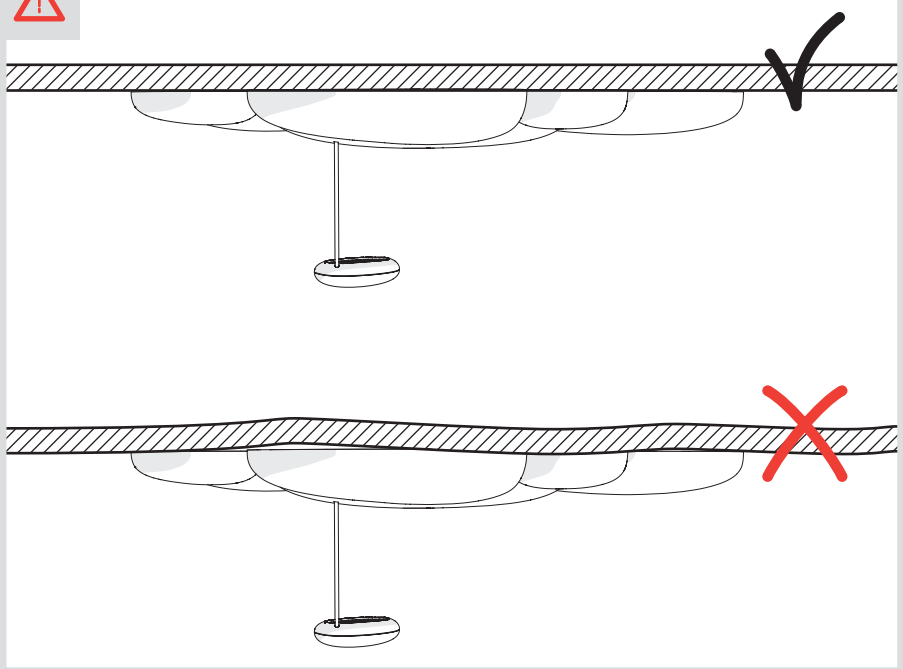
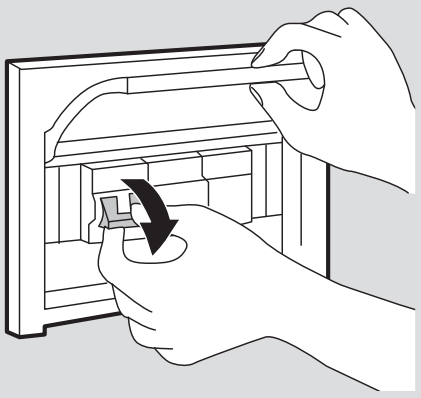
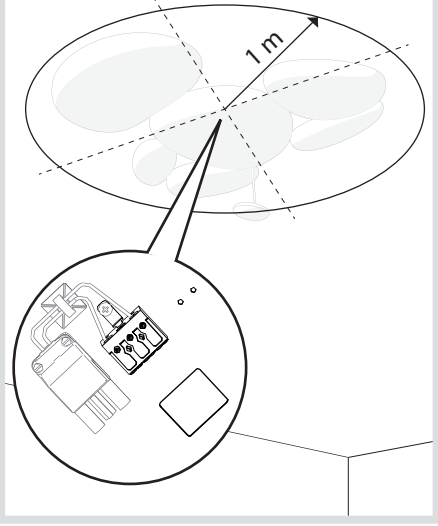
design
R. Lovegrove

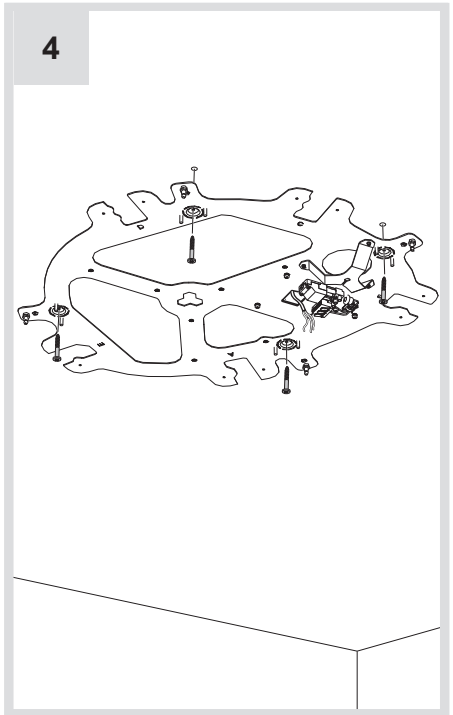
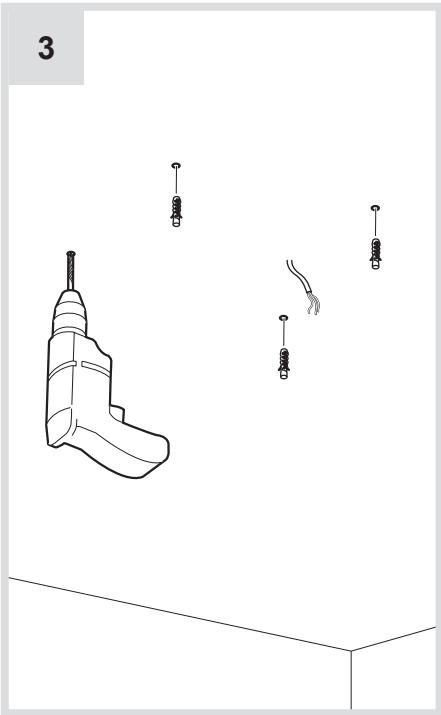
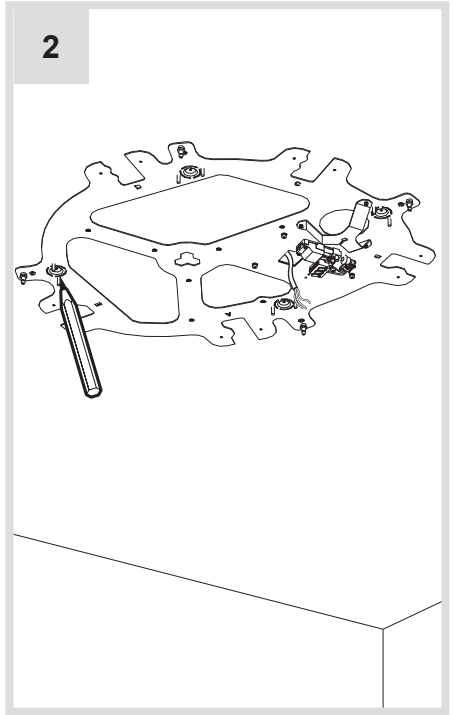
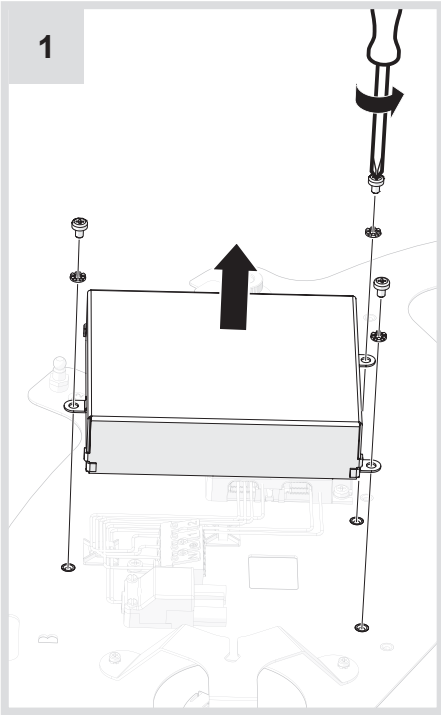




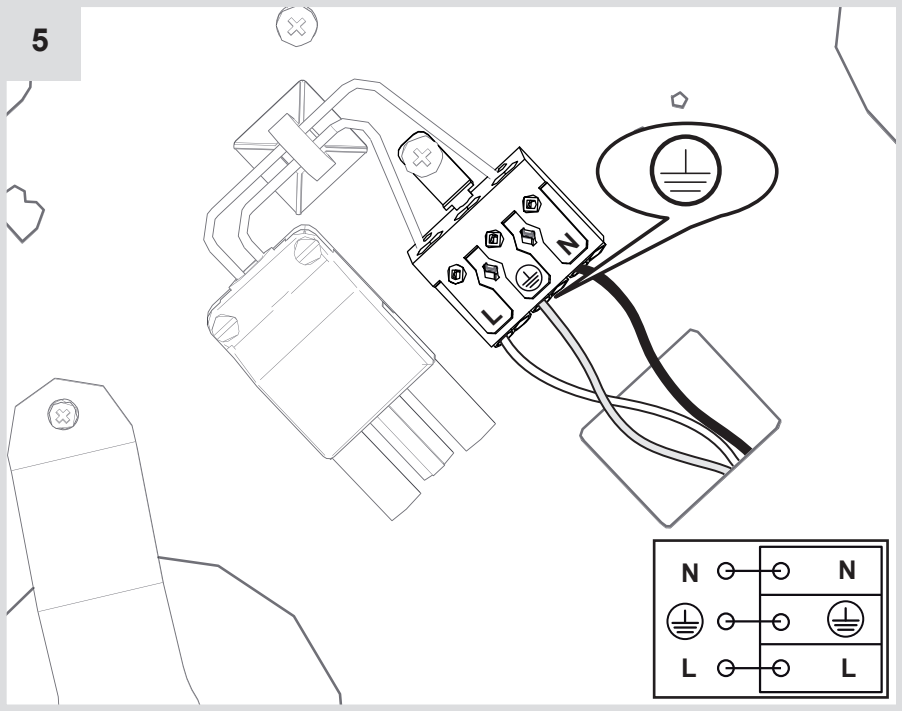
i







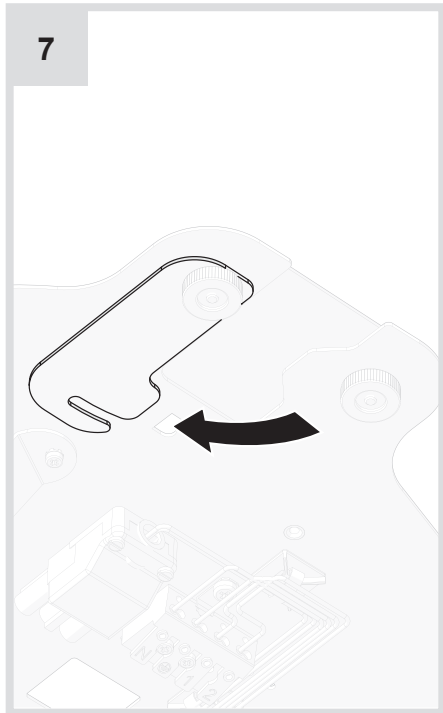
5

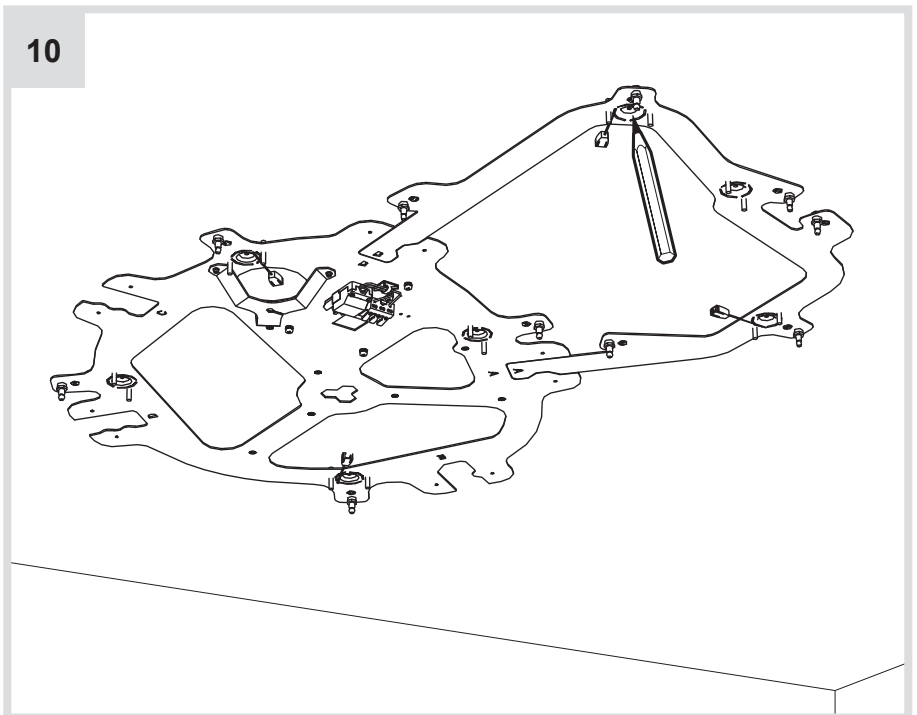
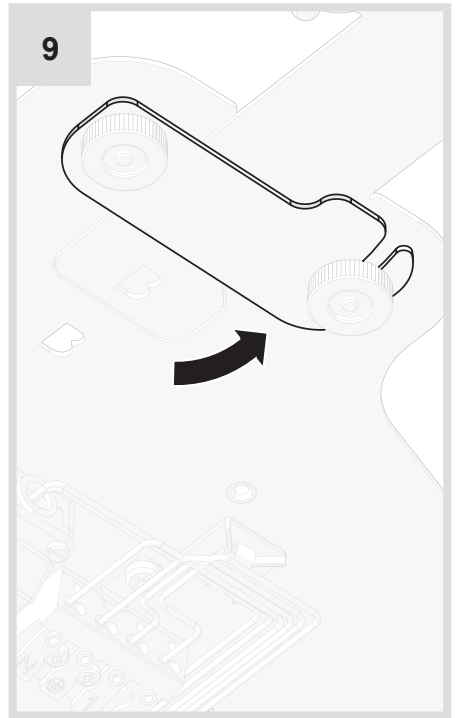
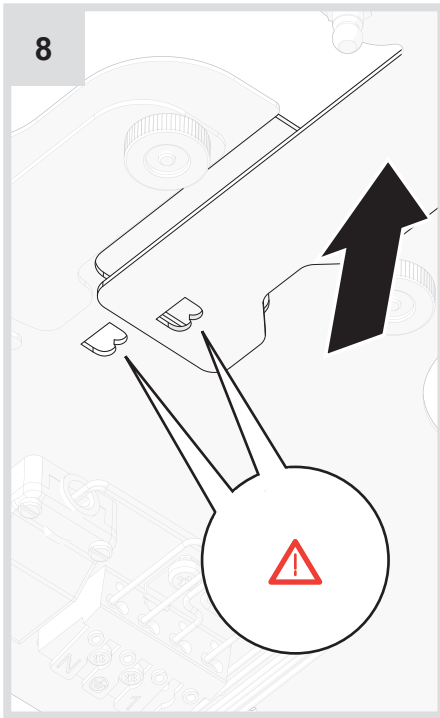


6

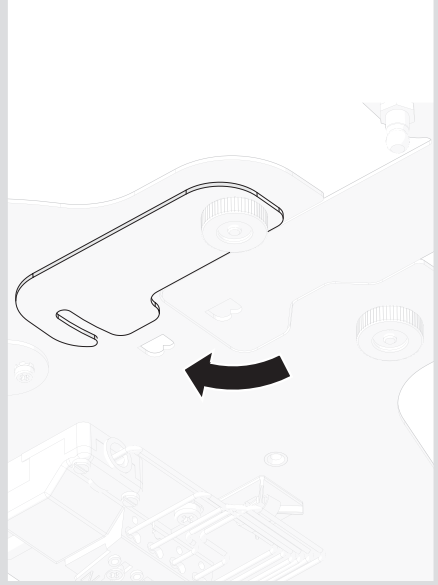


7

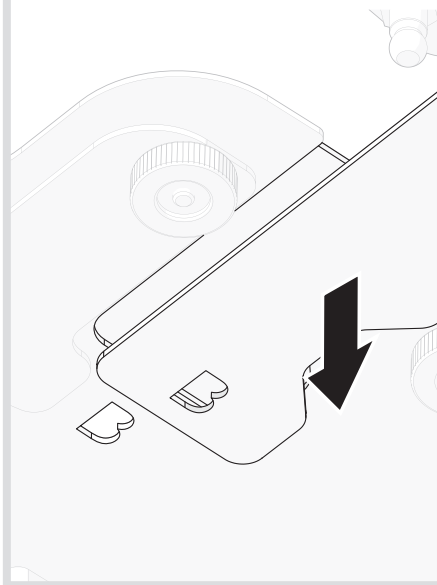




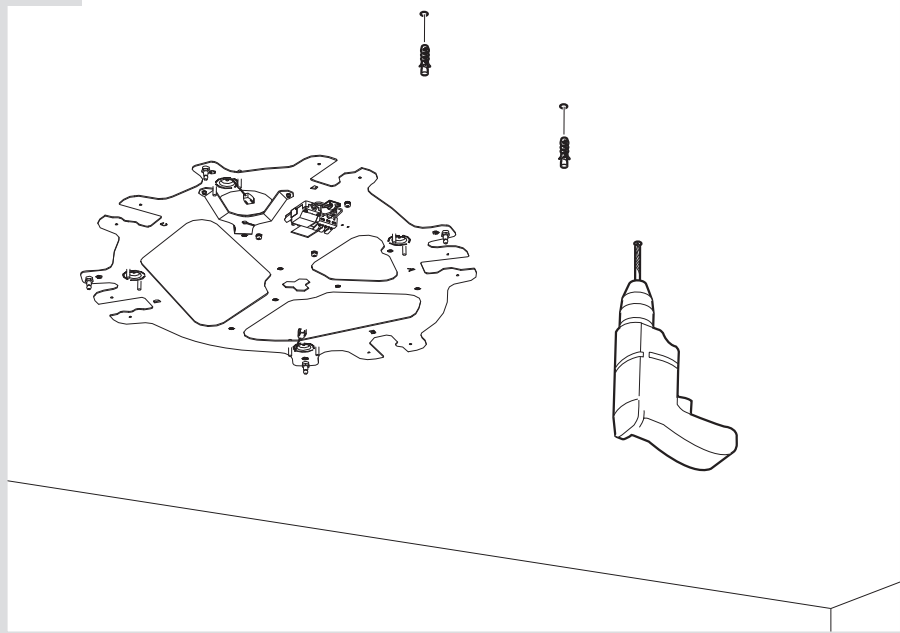
11



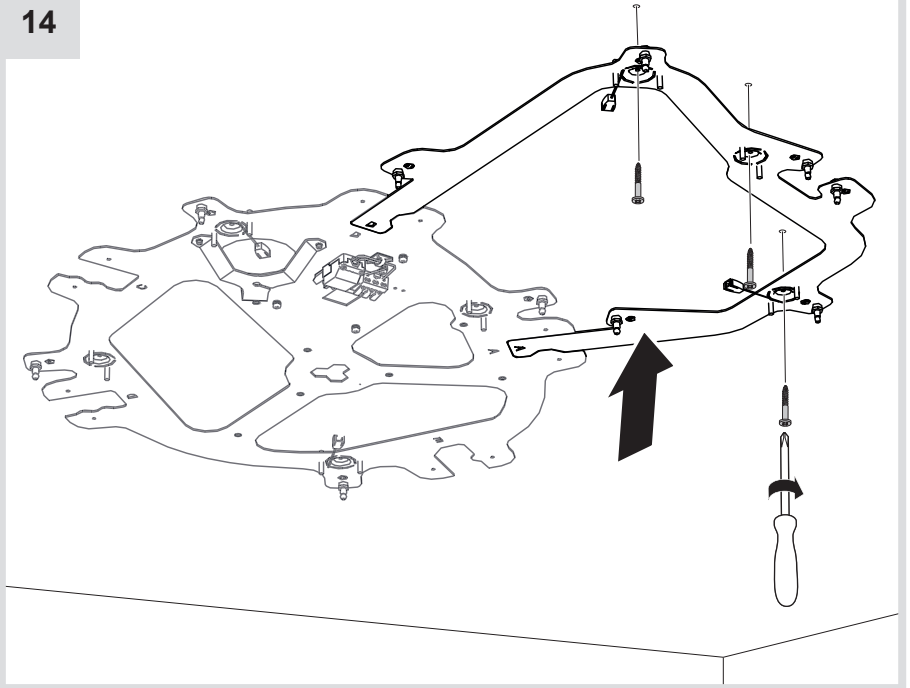
12



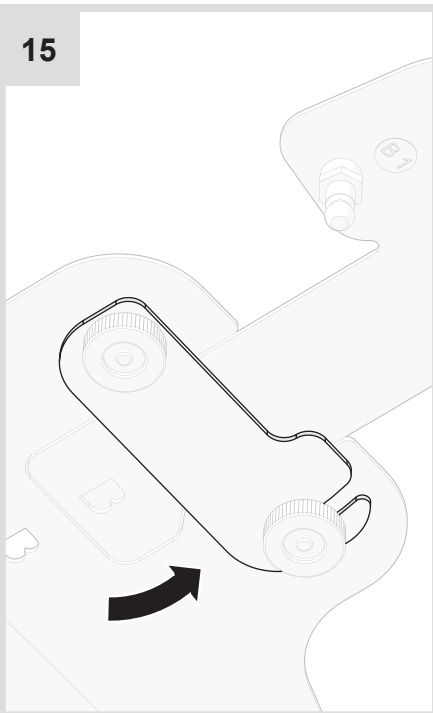
13



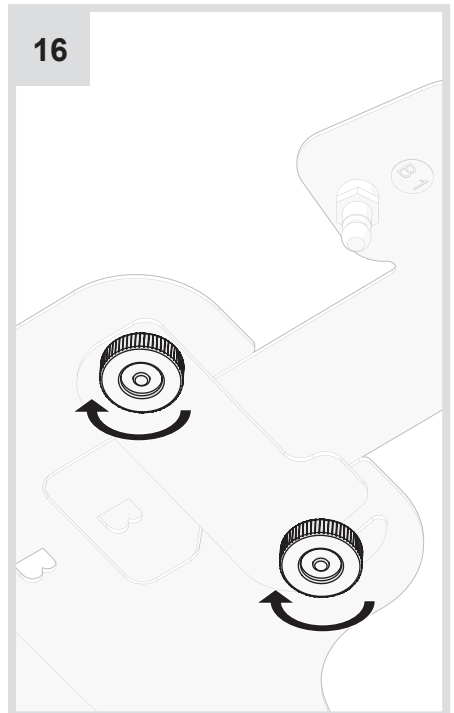
14

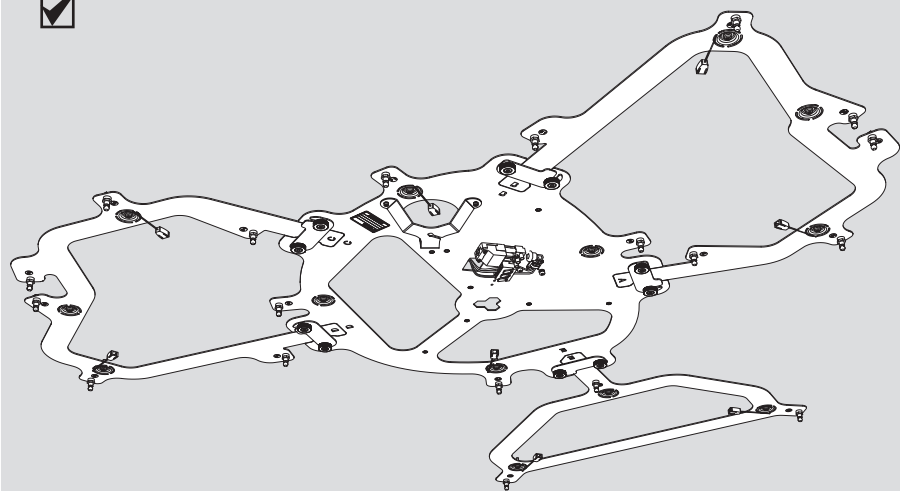


15

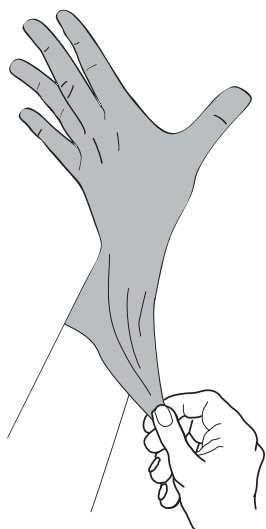


16

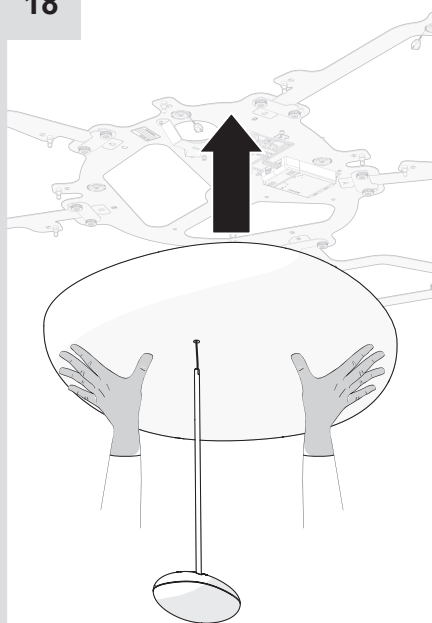


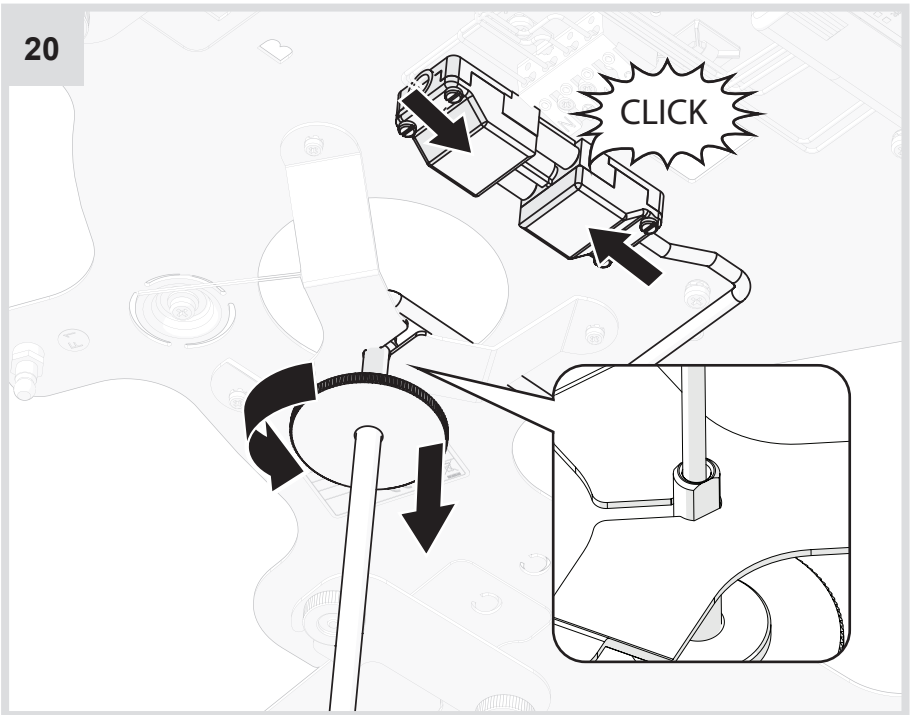
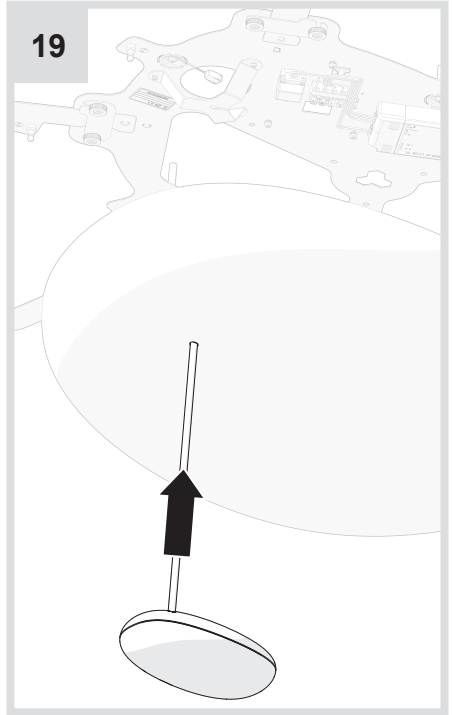
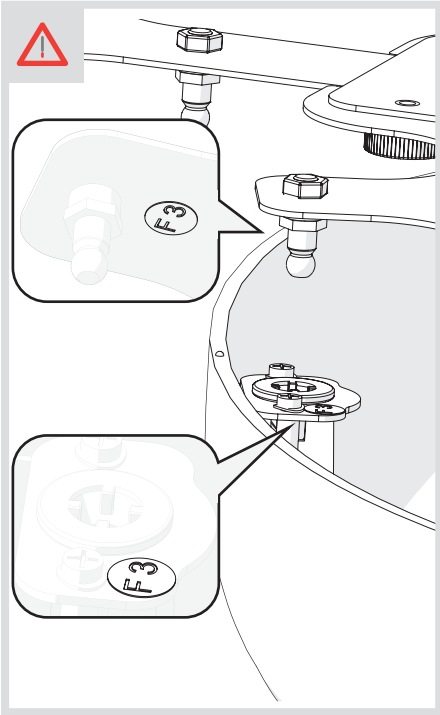


17

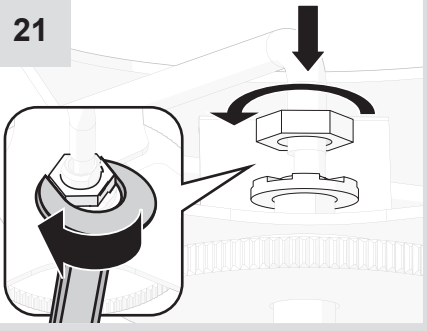


18

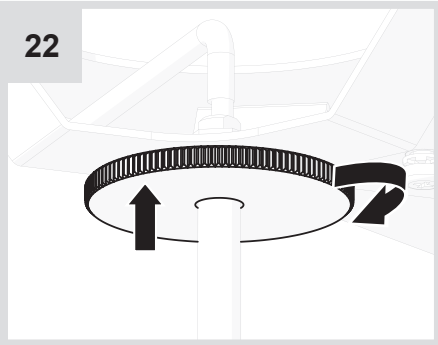




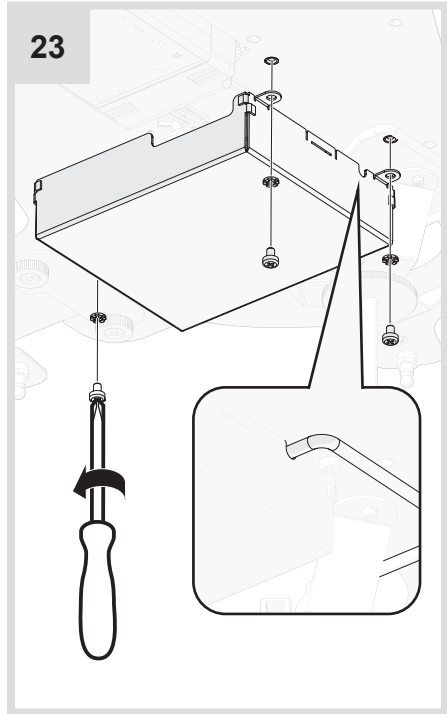
21



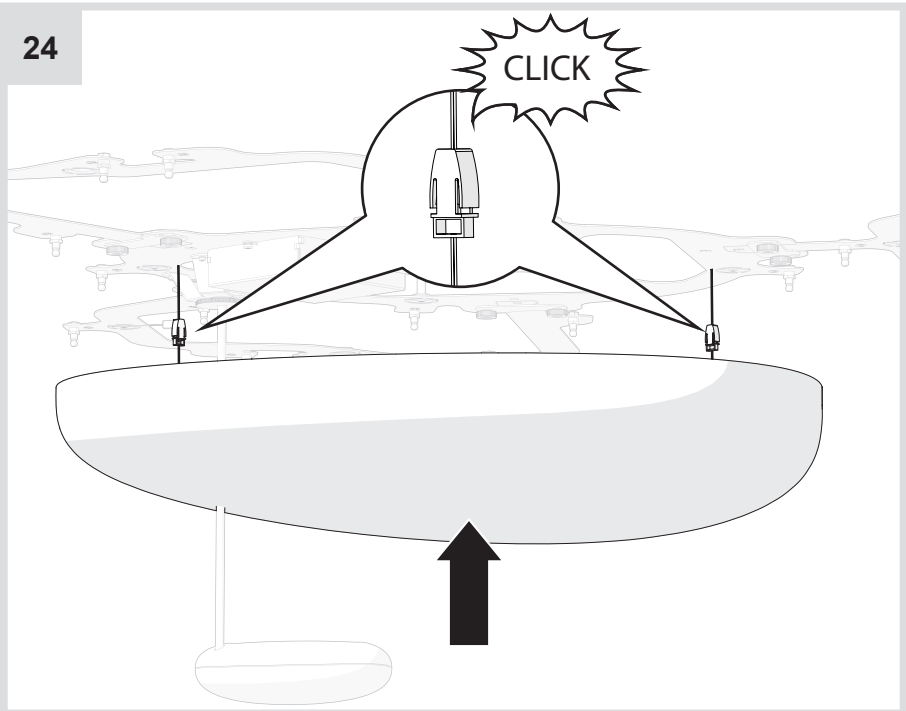
22

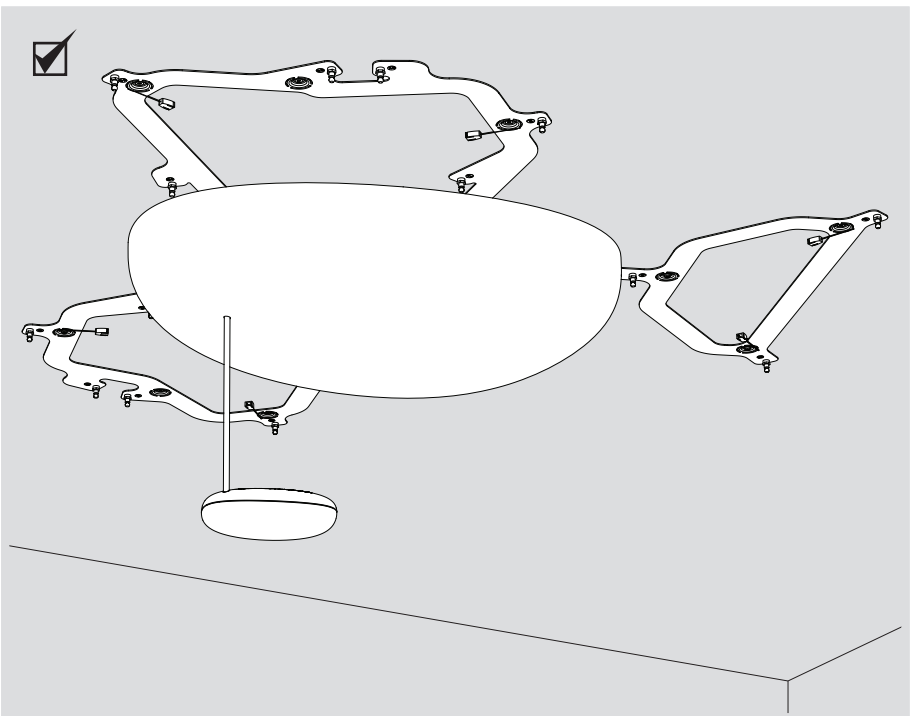
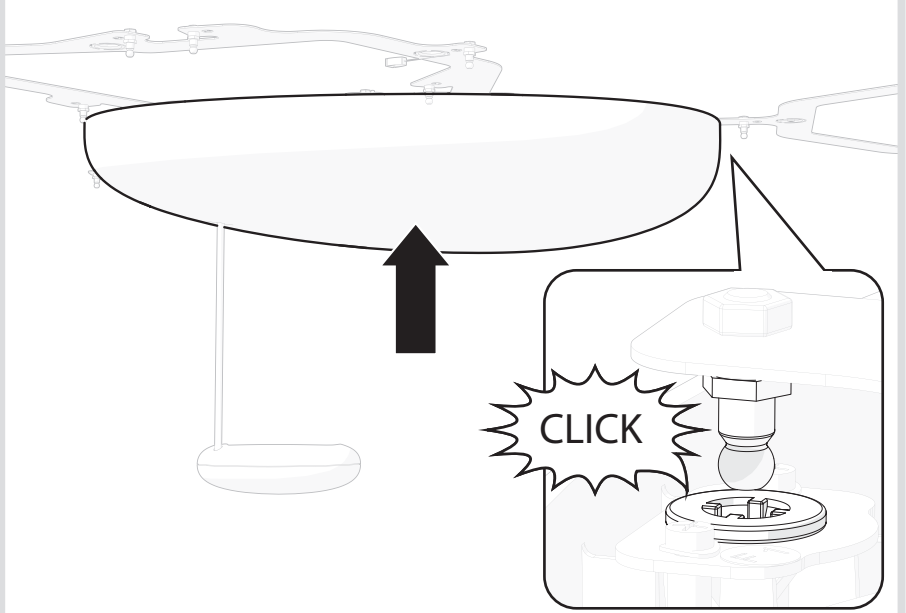


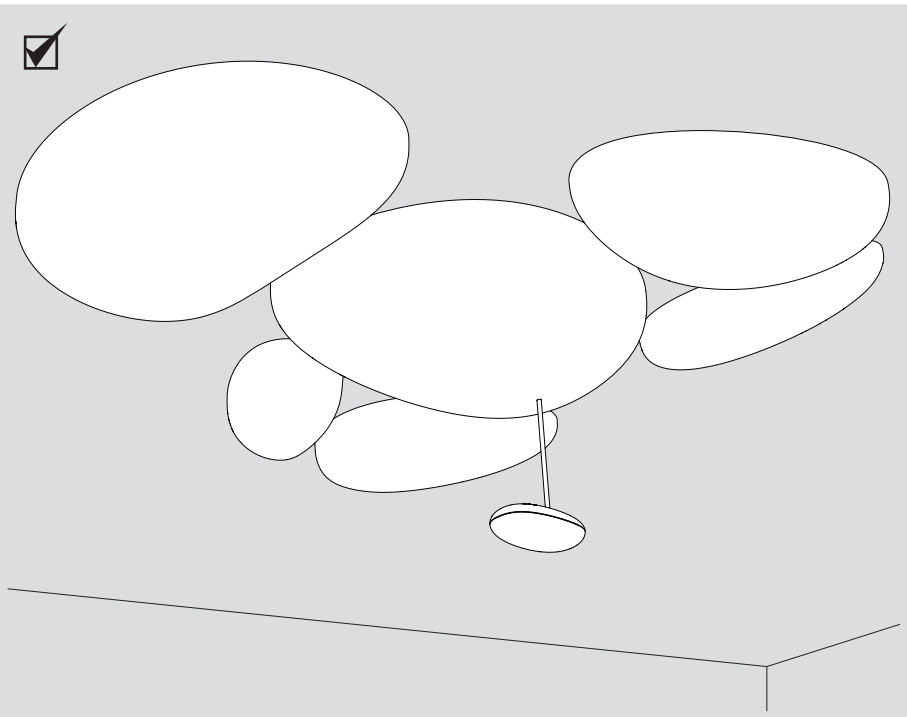
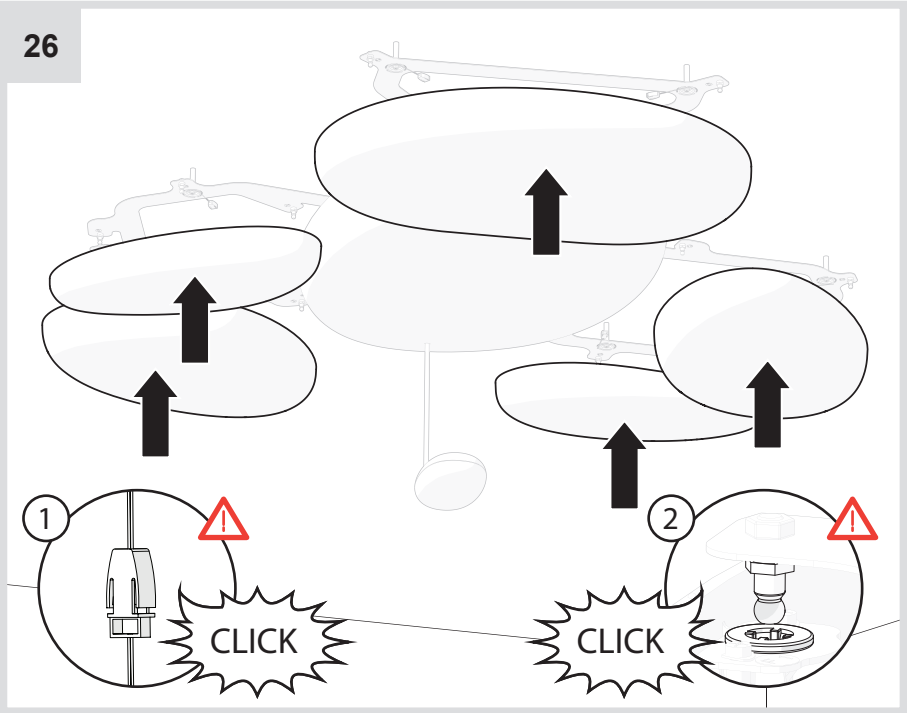
23



24

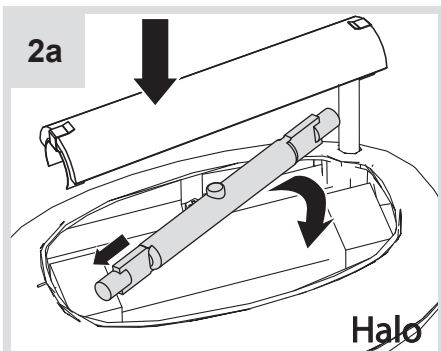
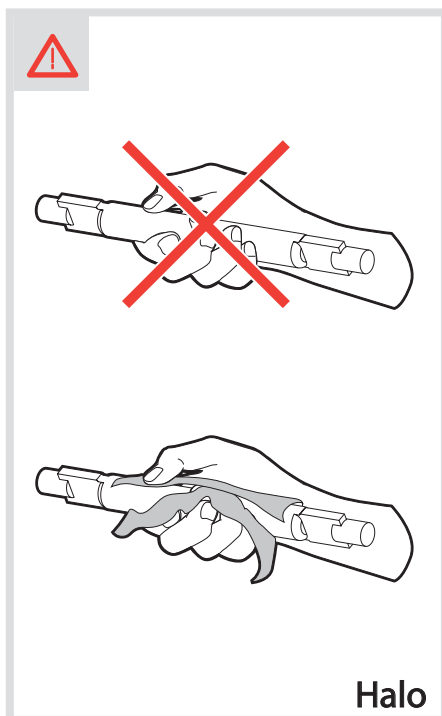
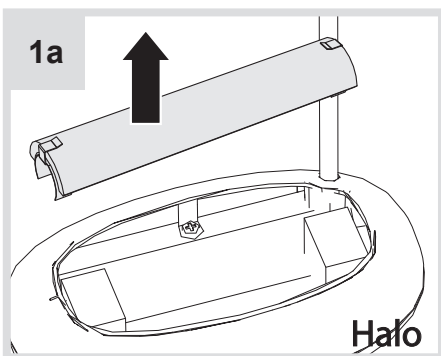
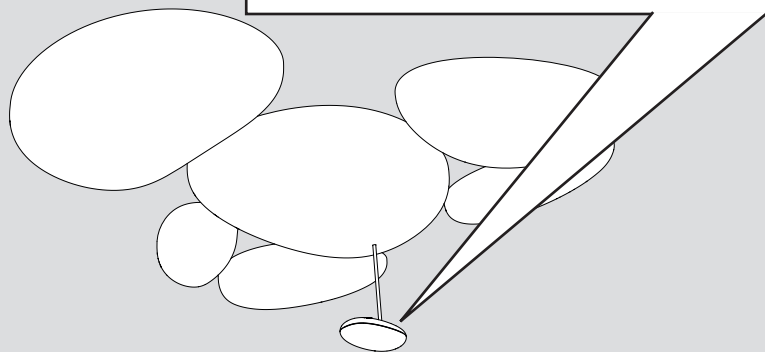
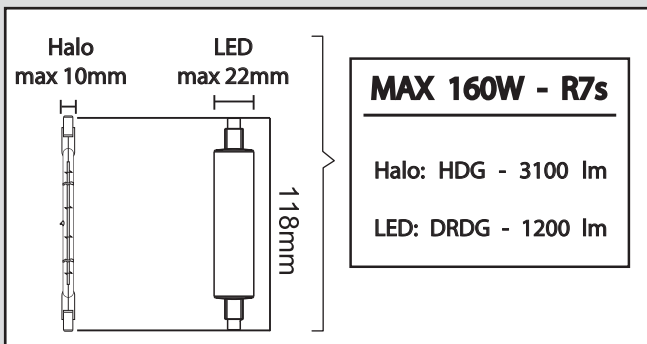


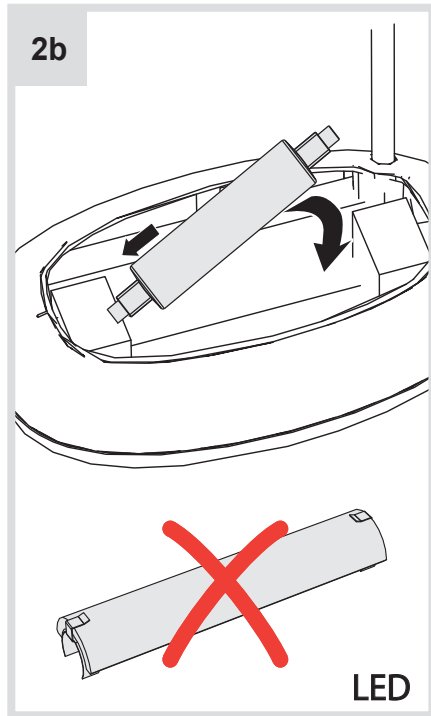
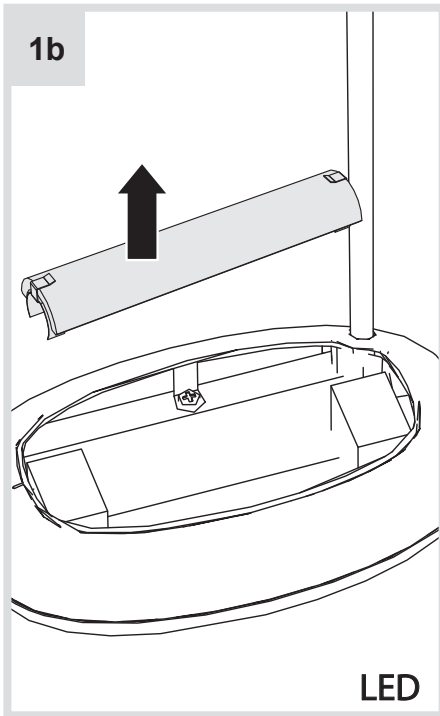






i





i



1



Artemide®



Artemide

via Bergamo, 18
20010 Pregnana M.se (MI)
ITALIA

tel. +39 02 935 181
fax +39 02 935 90 254
fax +39 02 935 90 496

www.artemide.com

VAT IT00846890150

cod. Y513000525